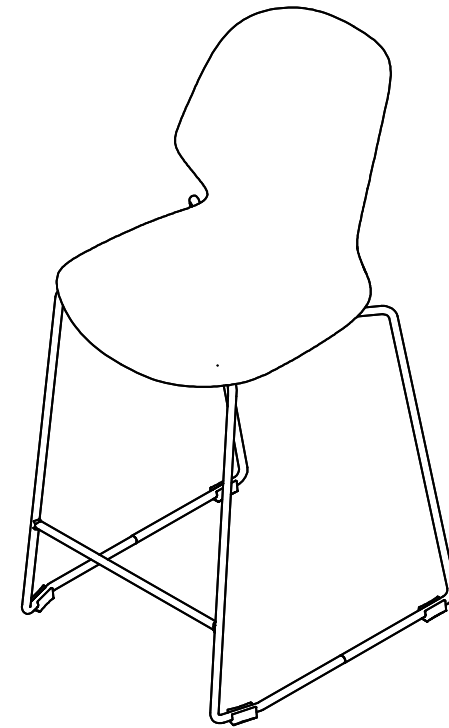


# Rango

Sled Base Bar Stool

**NOVAH**



NOVAH System Technology Co.,Ltd.  
Tel: 400-115-1688  
Web: [www.novah.cc](http://www.novah.cc)  
Mail: [int@novah.cc](mailto:int@novah.cc)

**NOVAH**

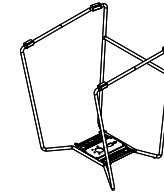
# Product Parts List

**A**



1x Backrest Assembly

**B**



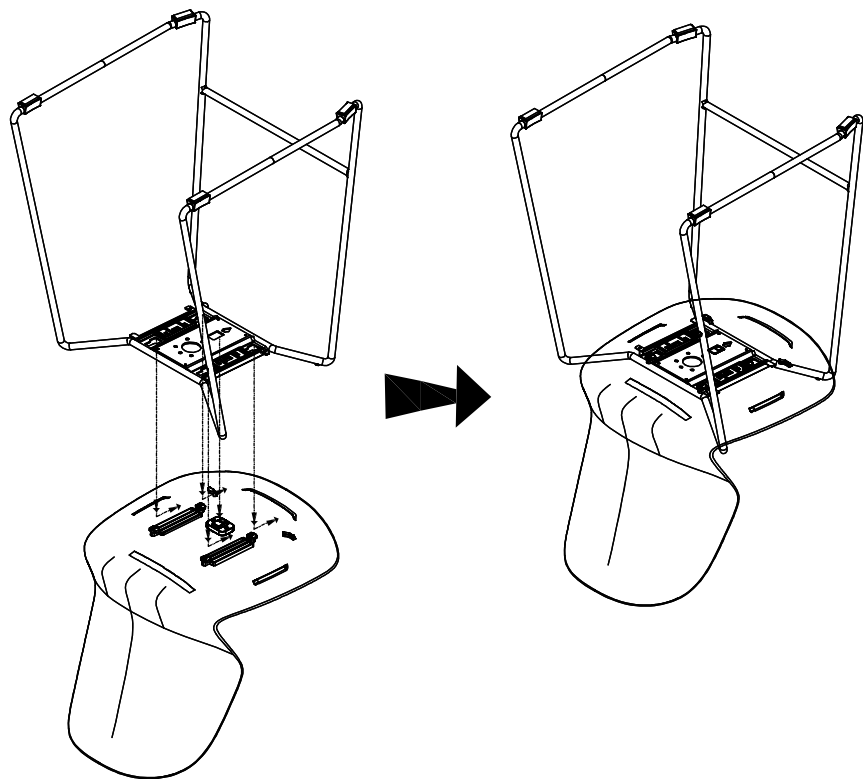
1x Leg Assembly

**C**

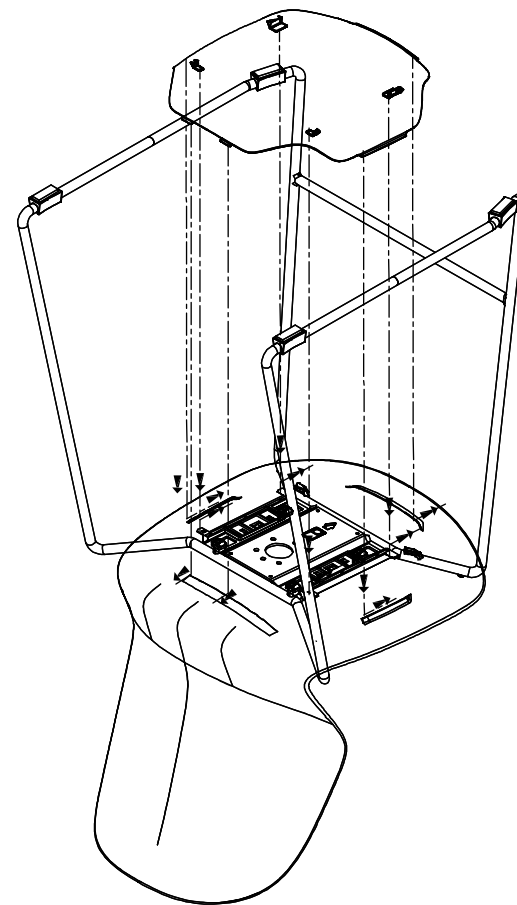


1x Shell Decorative Cover

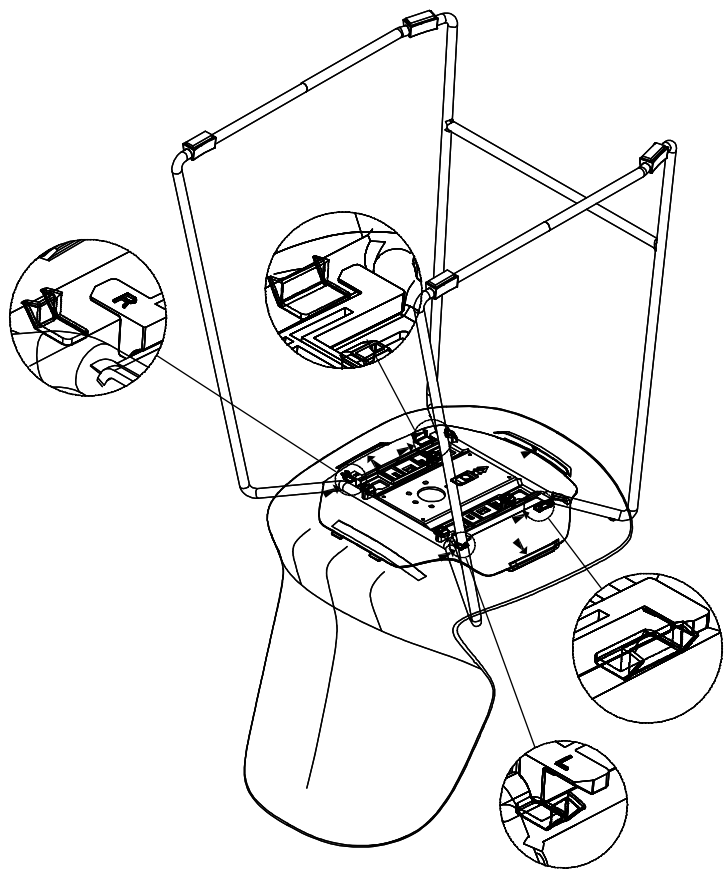
# Step 1



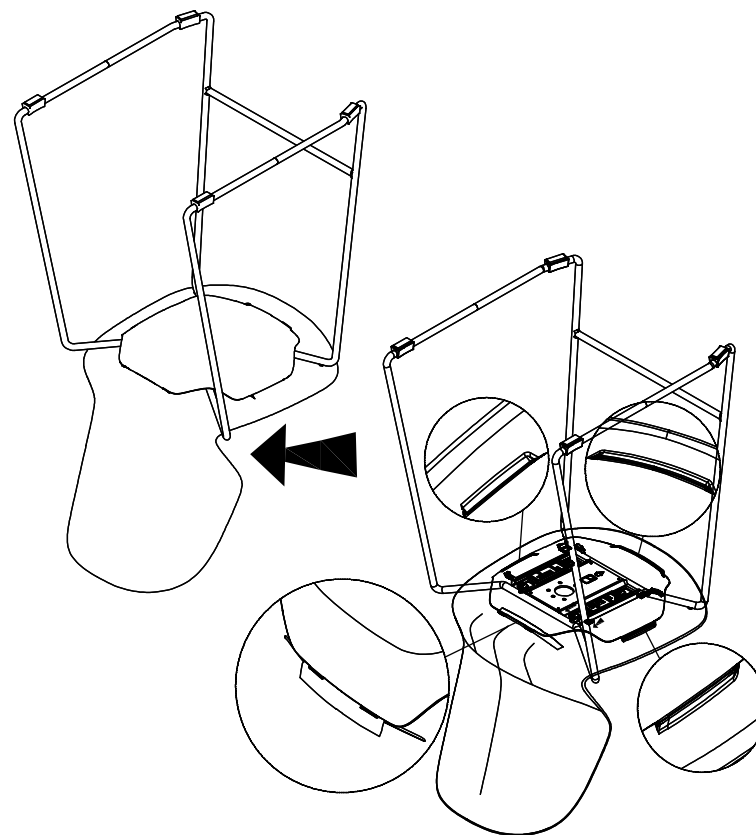
# Step 2



# Step 3



# Step 4



# Step 5

