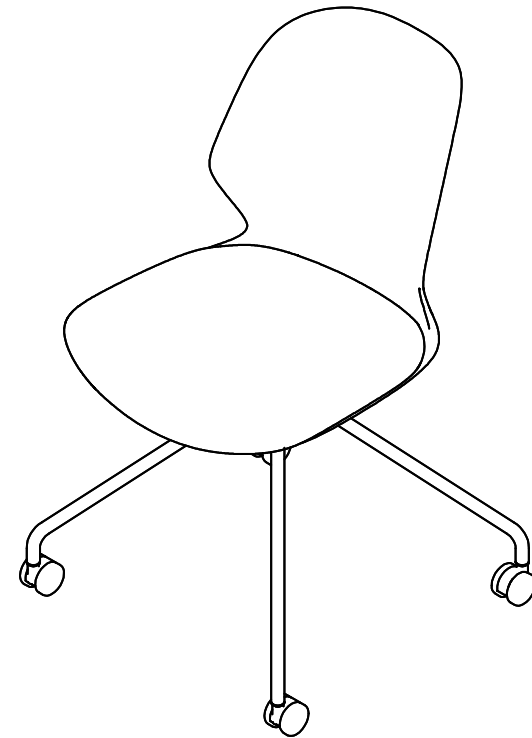


Rango

Swivel Chair

NOVAH

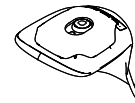


NOVAH System Technology Co.,Ltd.
Tel: 400-115-1688
Web: www.novah.cc
Mail: int@novah.cc

NOVAH

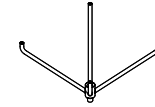
Product Parts List

A



1X Backrest Assembly

B



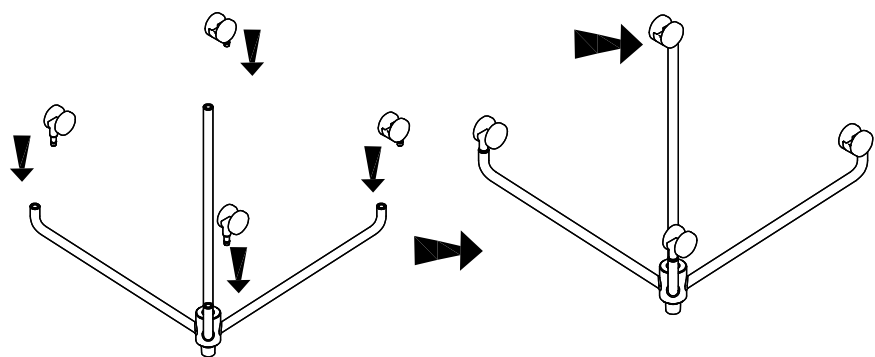
1X Leg Assembly

C

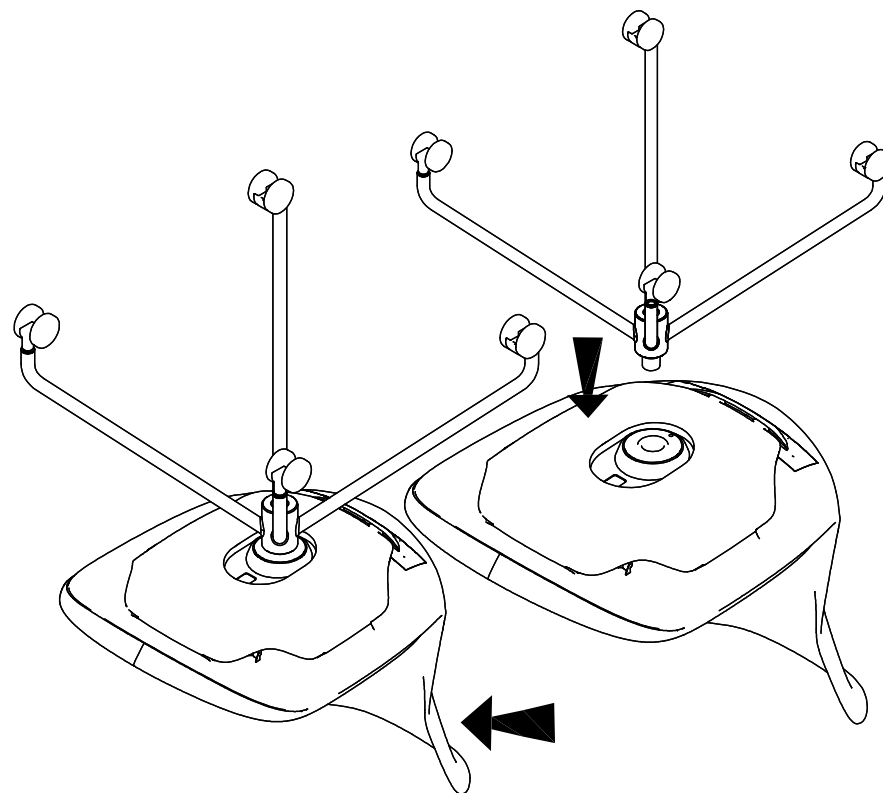


4X Caster

Step 1



Step 2



Step 3

