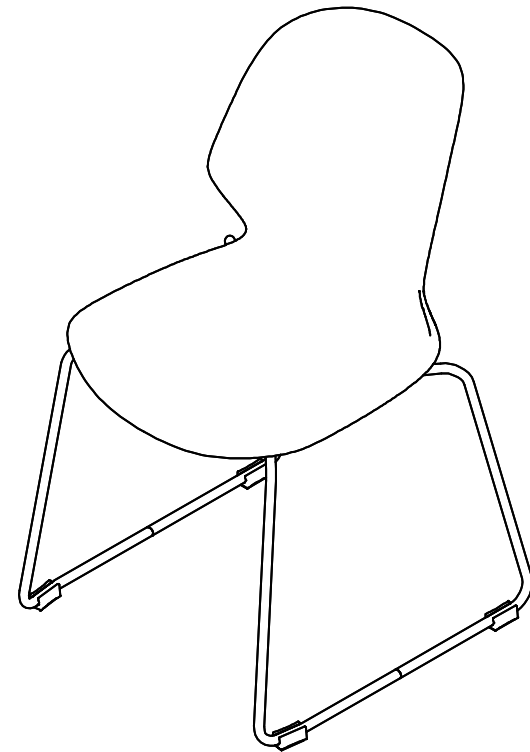


Rango

Sled Base Chair

NOVAH



NOVAH System Technology Co.,Ltd.
Tel: 400-115-1688
Web: www.novah.cc
Mail: int@novah.cc

NOVAH

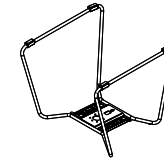
Product Parts List

A



1x Backrest Assembly

B



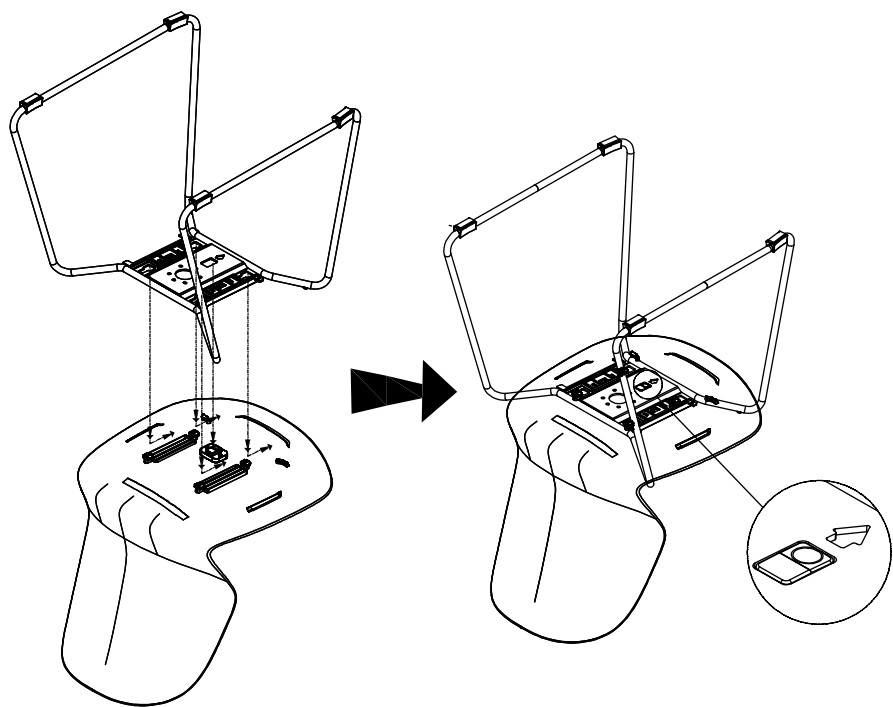
1x Leg Assembly

C

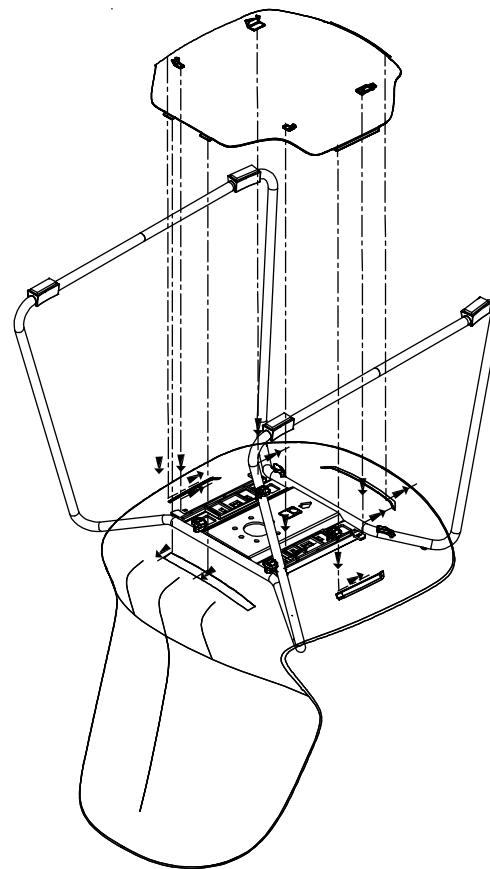


1x Shell Decorative Cover

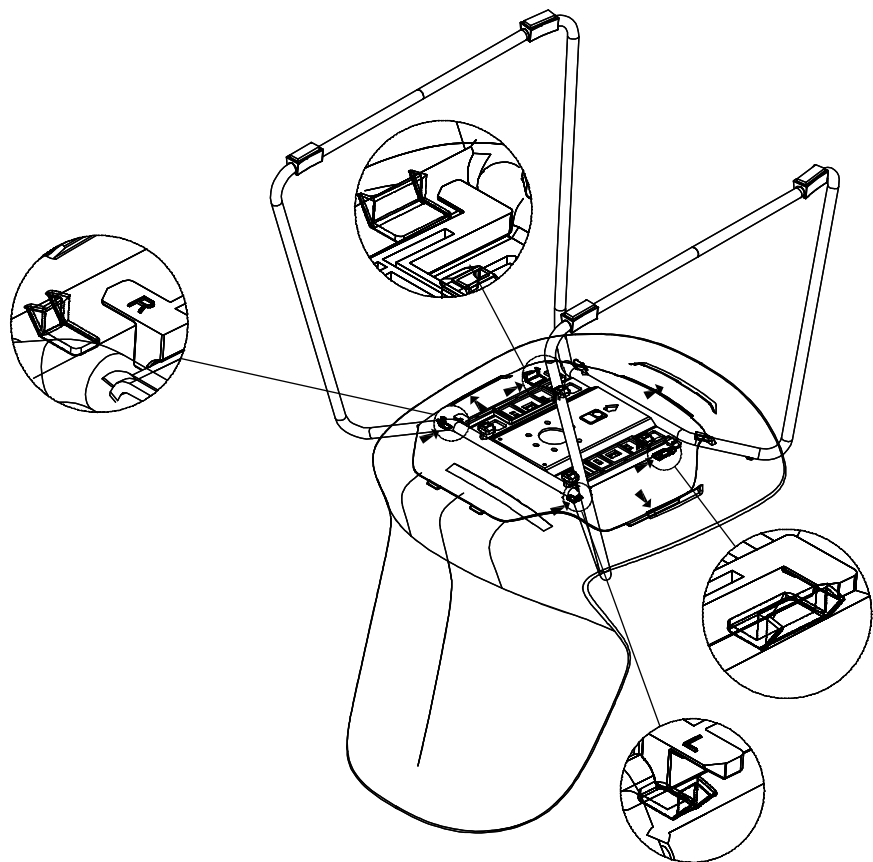
Step 1



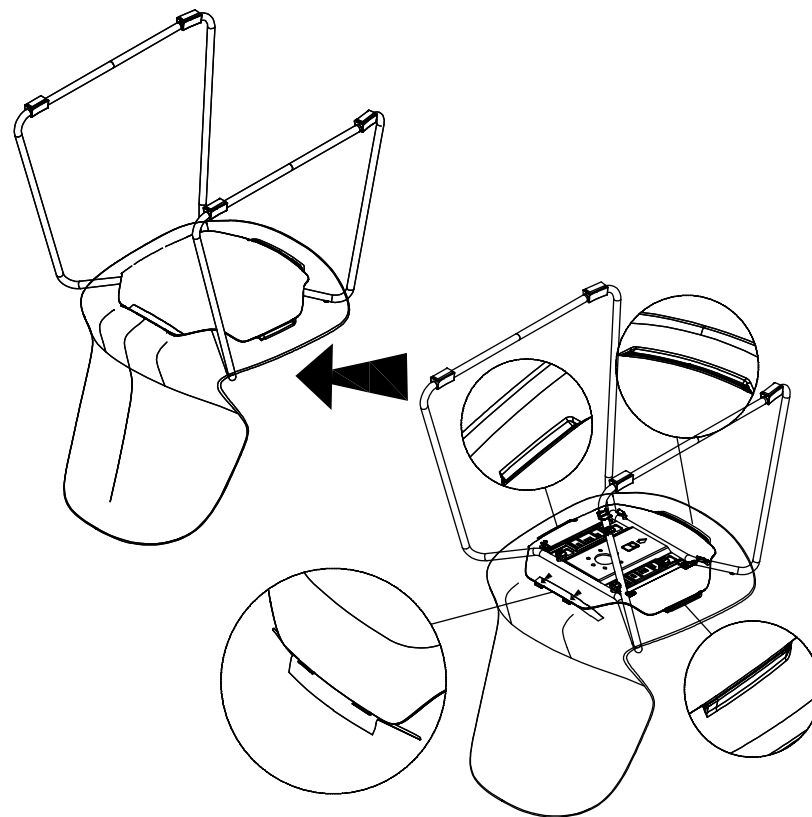
Step 2



Step 3



Step 4



Step 5

