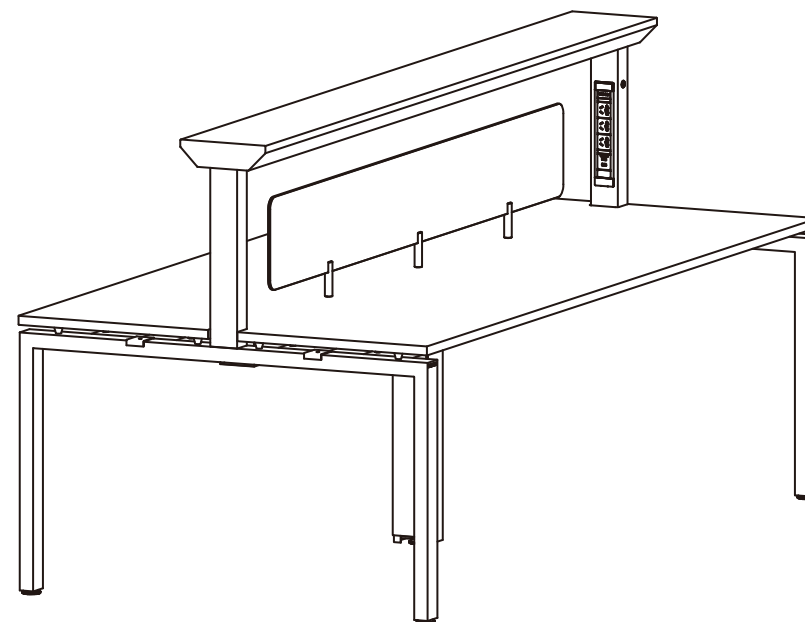


Light

NOVAH



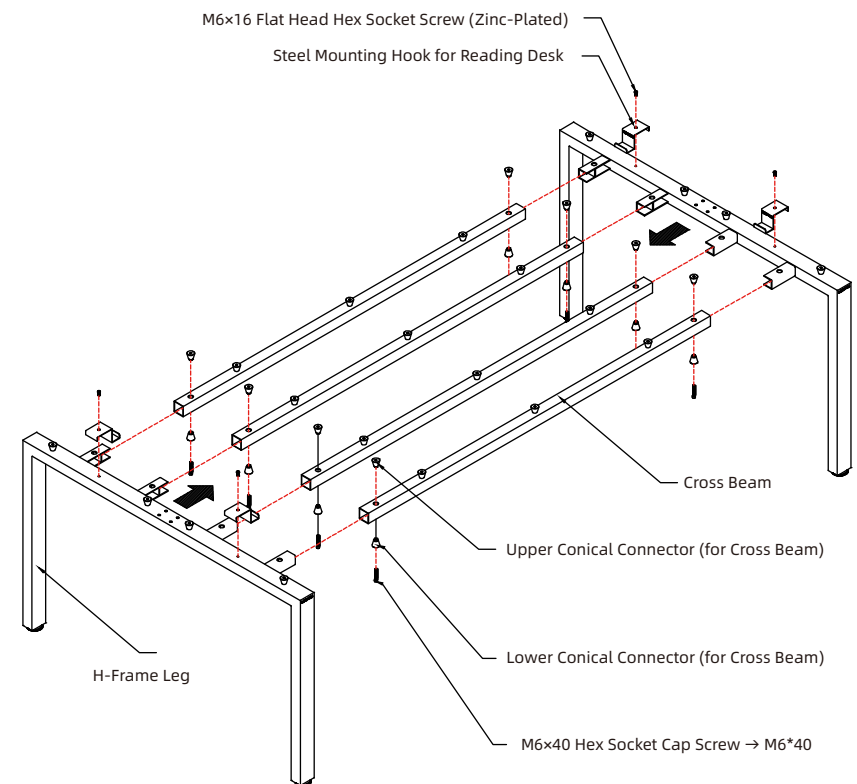
NOVAH System Technology Co.,Ltd.
Tel: 400-115-1688
Web: www.novah.cc
Mail: int@novah.cc

NOVAH

Step 1

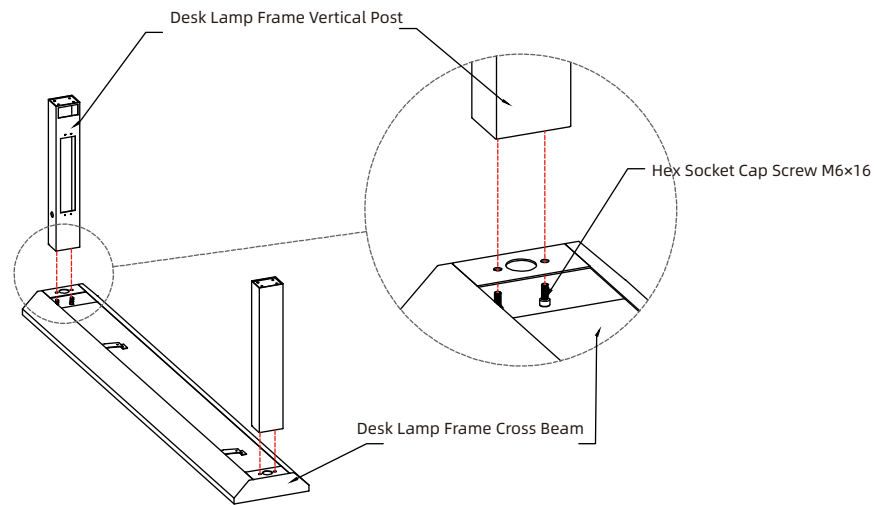
1. First, assemble the four cross beams with the two H-frame legs. Then secure them using the upper conical connectors, lower conical connectors, and M6×40 hex socket cap screws.

2. Attach the steel mounting hooks for the reading desk to the H-frame legs using M6×16 flat head hex socket screws (zinc-plated).



Step 2

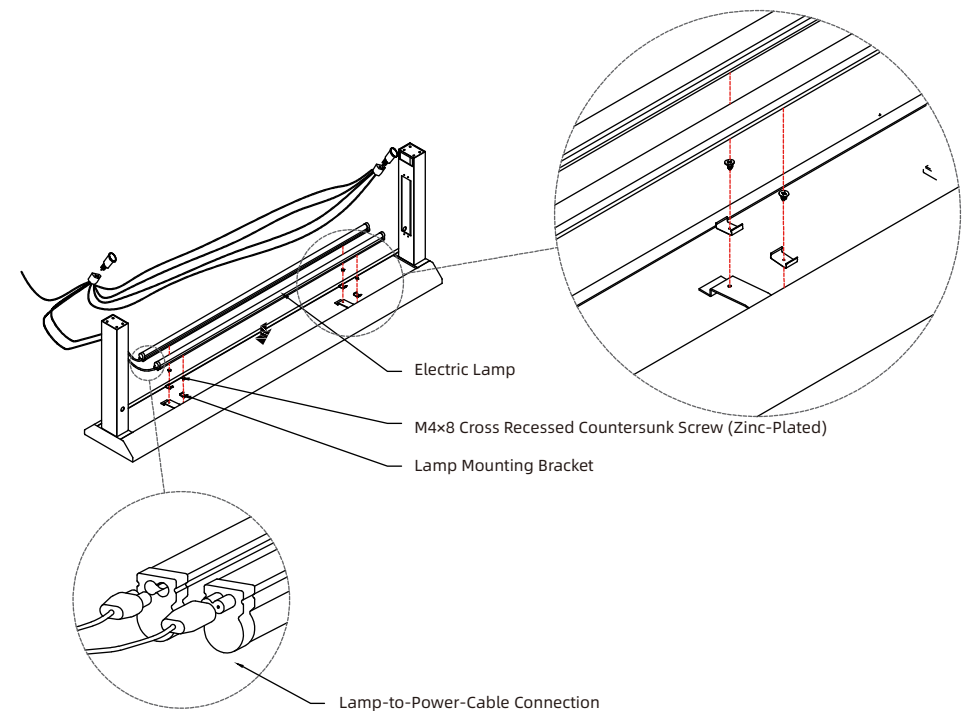
1. Secure the two desk lamp frame vertical posts to the desk lamp frame cross beam using M6×16 hex socket cap screws.



Step 3

1. First, secure the four lamp mounting brackets to the desk lamp frame cross beam using M4×8 cross recessed countersunk screws (zinc-plated).

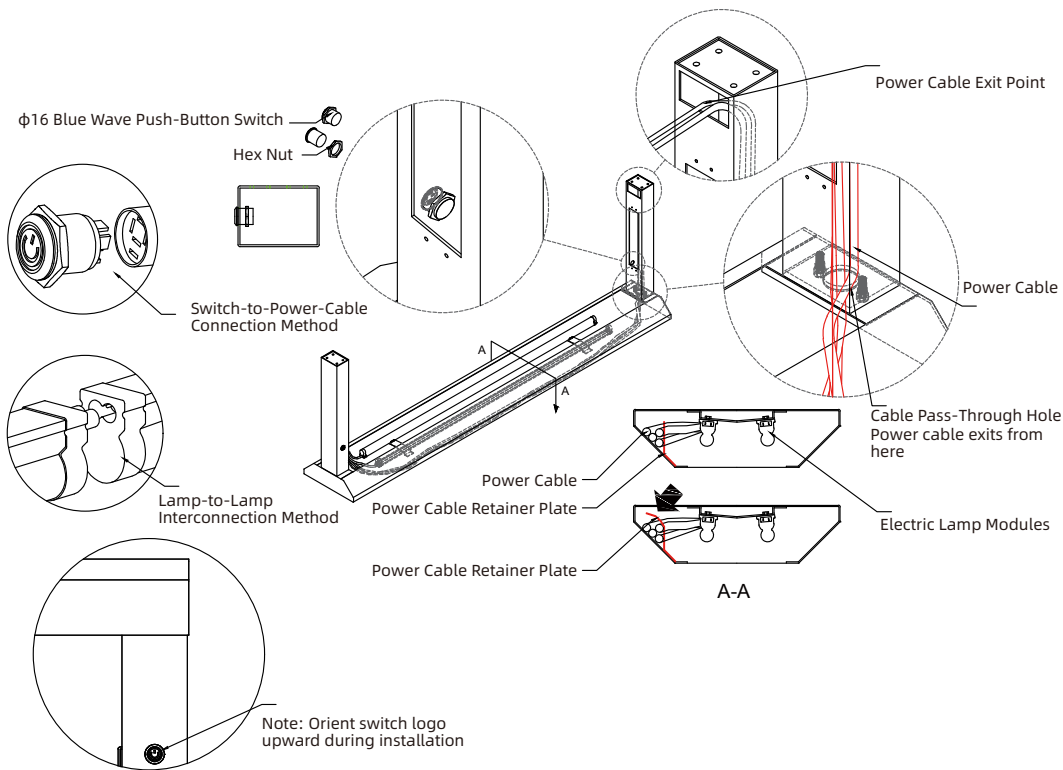
2. Press the lamps directly into the mounted lamp brackets until they snap or seat firmly in place.



Step 4

1. Install two $\phi 16$ blue wave push-button switches onto the vertical posts of the desk lamp frames. When installing, ensure the switch's orientation indicator (logo/mark) faces upward.

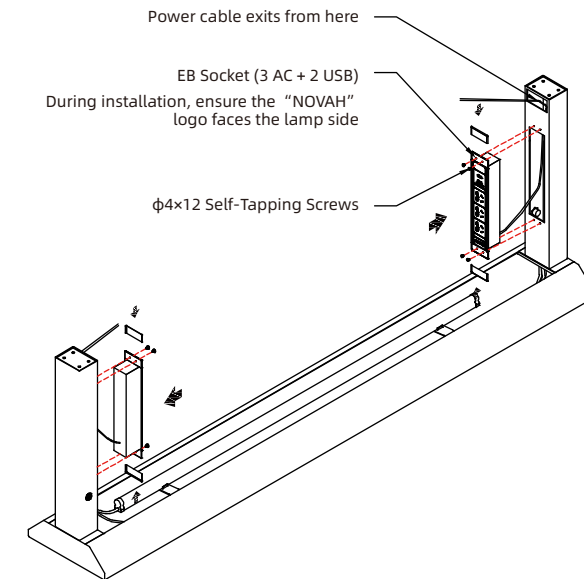
2. Neatly organize the power cables. Route the cables inside the lamp frame's cross beam into the power cable retainer plates. Press down firmly on the retainers to secure the cables in place.



Step 5

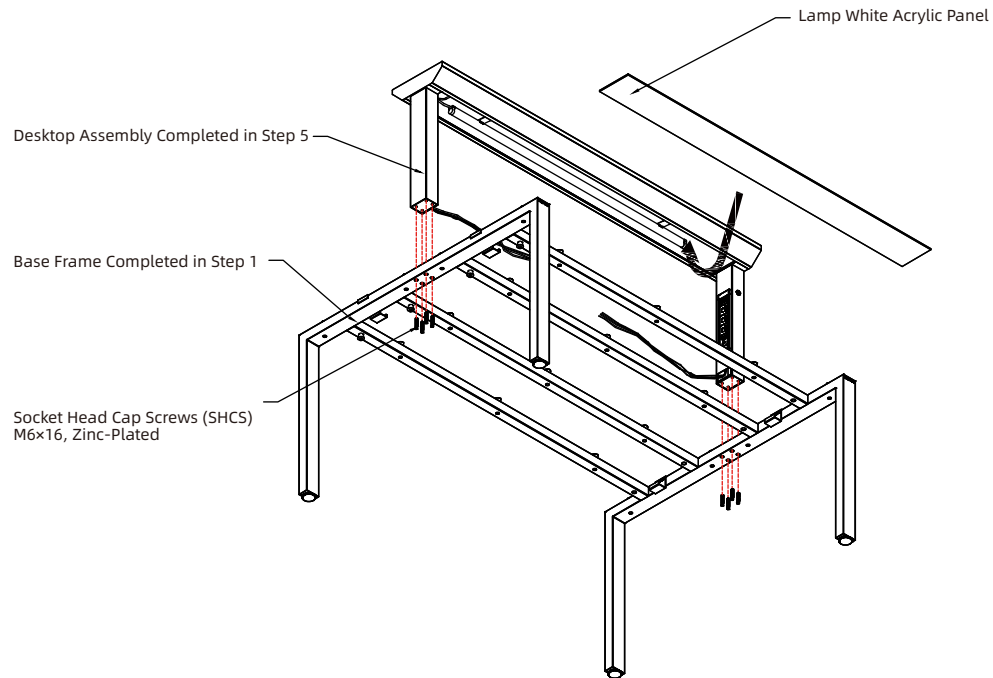
1. Mount two EB sockets (3 AC outlets + 2 USB ports) onto the vertical posts of the desk lamp frames using $\phi 4 \times 12$ self-tapping screws. Ensure correct orientation during installation.

2. Route the power cables out through the designated exit points.



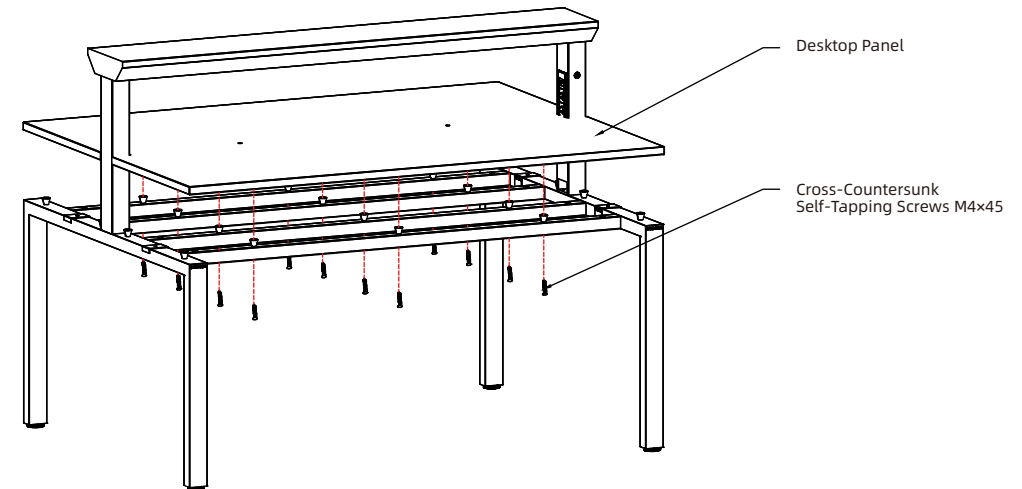
Step 6

1. Secure the base frame (completed in Step 1) to the desktop assembly (completed in Step 5) using M6×16 zinc-plated socket head cap screws.
2. Insert the white acrylic lamp panel into the cross beam of the desk lamp frame. When installing, ensure all internal power cables are neatly routed and do not protrude above the acrylic surface.



Step 7

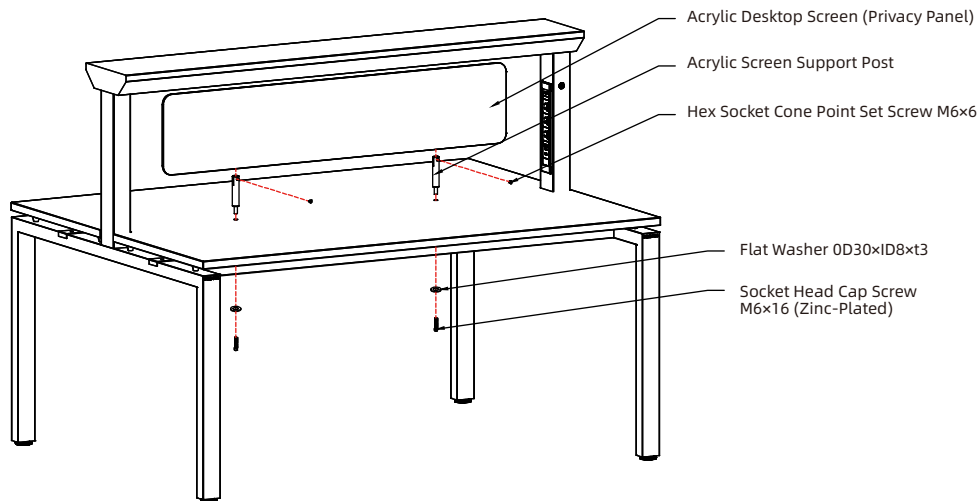
1. Place the desktop panel onto the reading desk frame assembled in Step 6.
2. Secure the desktop panel to the cross beams using M4×45 cross-countersunk self-tapping screws.



Step 8

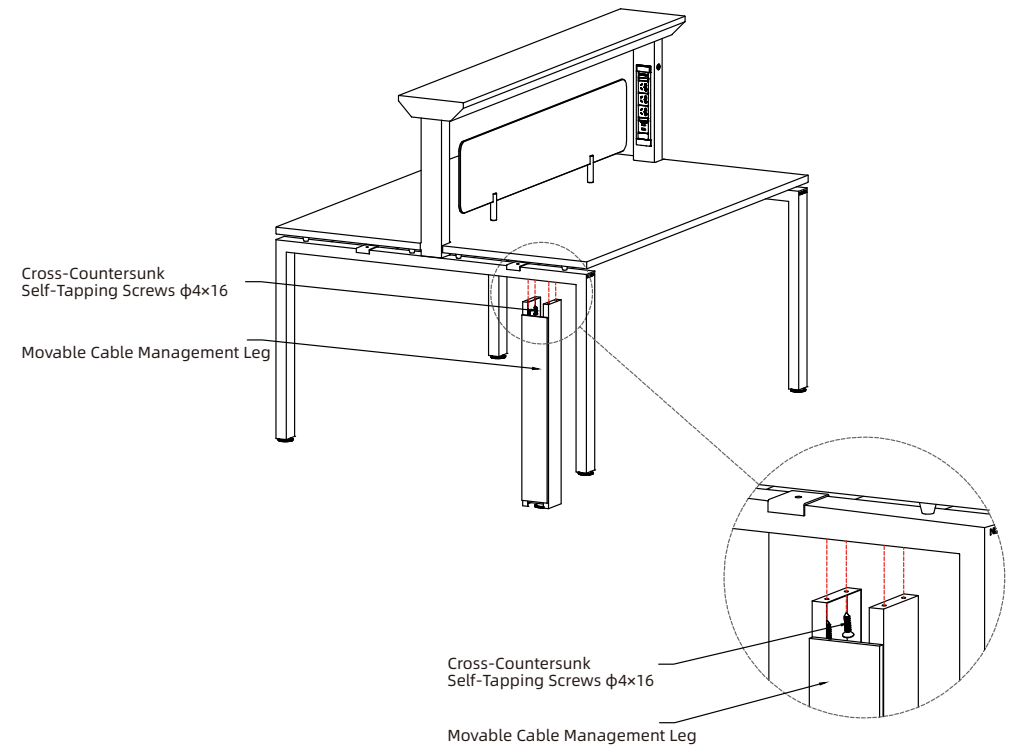
1. Mount the acrylic screen support posts onto the desktop panel using flat washers (OD30×ID8×t3) and M6×16 zinc-plated socket head cap screws.

2. Then secure the acrylic desktop screen to the support posts using M6×6 hex socket cone point set screws.



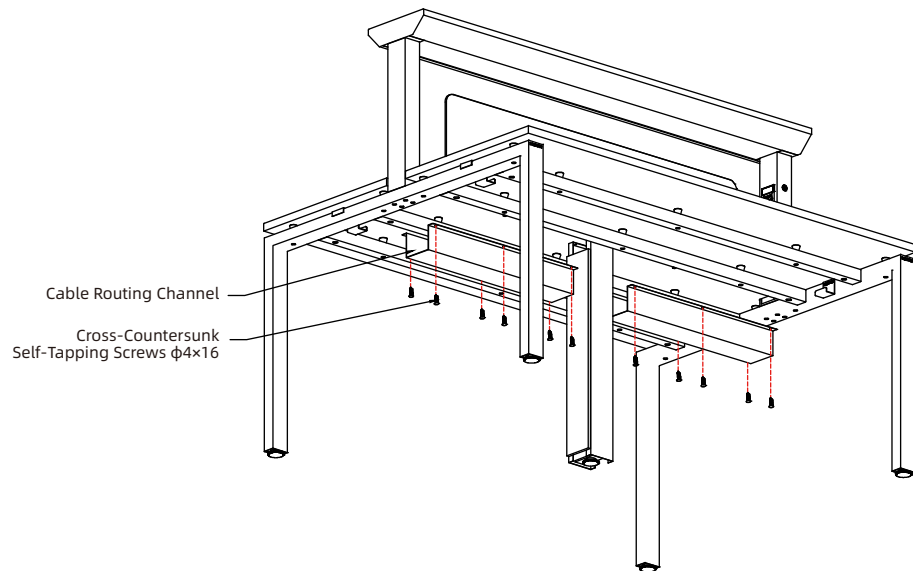
Step 9

Attach the movable cable management leg to the center underside of the desktop panel using $\phi 4 \times 16$ cross-countersunk self-tapping screws. Ensure correct orientation – the cable routing slot must be parallel to the cross beam.



Step 10

1. Thread the power cable through the cable entry hole in the movable cable management leg.
2. Secure the cable routing channel to the underside of the desktop panel using $\phi 4 \times 16$ cross-countersunk self-tapping screws. Position it between the two central cross beams, then place the power cable inside the channel.



Step 11

