

Light Reading Desk Product Manual

I. Overview

1. The reading desk products manufactured by our company are primarily designed for indoor use. Their production technology, product quality, and performance comply with national industry standards.
2. This product adheres to the industry quality standard GB/T 3325—2008.

II. Product Structure and Technical Features

1. The main structure of the Reading Desk series consists of: Melamine Faced Particle Board, or medium-density fiberboard (MDF) tabletops veneered with real wood or painted finish; metal frame.
2. Moisture content of decorative particle board $\leq 10\%$.
3. Formaldehyde emission from decorative particle board substrate ≤ 0.5 mg/L, compliant with GB18580-2001.
4. Formaldehyde emission class E1 for MDF ≤ 1.5 mg/L, compliant with GB18580-2001.
5. Surface physical properties: Melamine-faced panels meet specified grade requirements; metal component coatings also conform to required standards.
6. Painted surface film formation complies with GB18581-2001.
7. Veneer physical properties: Real wood veneer or thin wood (wood skin) facing on panels must meet specified grade requirements.
8. Equipped with LED lighting above: color temperature 4000K, illuminance 550–750 lux, dual-control switch.

III. Main Raw and Auxiliary Materials

1. Formaldehyde emission from decorative particle board substrate ≤ 0.5 mg/L.
2. Formaldehyde emission class E1 for MDF ≤ 1.5 mg/L.
3. Metal components treated with electrostatic powder coating; steel tubes made of first-grade cold-rolled bright pipe, wall thickness 2.0 mm; steel plates made of first-grade cold-rolled steel, wall thickness 1.5–2.0 mm.
4. Plastic parts made of ABS\PA6+30%GF.
5. White acrylic panel, thickness 5 mm.
6. Packaging materials: corrugated cardboard, PE bubble film.

IV. Usage and Maintenance

1. Before use, wipe the product surface clean with a soft, dry cloth and maintain regular cleanliness.
2. Do not push the product forcefully sideways to avoid deformation of structural components under pressure, which may affect product quality.
3. Avoid contact with sharp-edged objects or cutting tools to prevent surface scratches that could impair usability.
4. Daily maintenance: Use a clean, soft cloth to regularly remove dust or stains. Do not use wet cloths on panel edges. Strictly prohibit contact of acidic or alkaline chemical substances with metal parts to preserve surface quality and service life.
5. Do not place high-temperature items on the product surface, as this may affect its appearance and quality.

V. Unpacking Inspection and Installation

1. When unpacking, gently cut open the sealing tape with a knife — do not damage the product — then sequentially remove all packaging materials.
2. Inspect components, hardware accessories, installation instructions, and packing list according to product labels. On-site installation must strictly follow the steps and methods provided in our company’s “Installation Manual”.

VI. Handling and Storage

1. Handle the product with care during transportation — avoid dropping or rough handling.
2. Disassembly for moving or storage must be performed by qualified personnel only.
3. Store the product in a dry, well-ventilated area to prevent moisture damage. During storage, protect corners and edges from impact to avoid structural or cosmetic damage.

VII. Troubleshooting & Fault Resolution

Common faults and solutions for the Reading Desk are listed below. If the issue cannot be resolved independently, please contact our company to dispatch professional technicians.

Symptom	Cause Analysis	Solution
Light does not turn on when switch is activated	Power cord not properly connected	Reconnect power cord

VIII. After-Sales Service Policy

1. In accordance with national regulations, we provide a comprehensive “Three Guarantees” quality assurance (repair, replacement, refund) for all products under normal use conditions. Excluding damages caused by human error, if any quality issues arise during the warranty period, please promptly contact our sales customer service team. We will arrange on-site support within 24 hours for local customers and within 48 hours for out-of-town customers.
2. For products beyond the warranty period, we warmly offer repair services at cost price (covering labor and materials). The warranty period begins from the date of purchase as verified by the original sales receipt or invoice. Please retain your proof of purchase securely.

IX. Installation Instructions

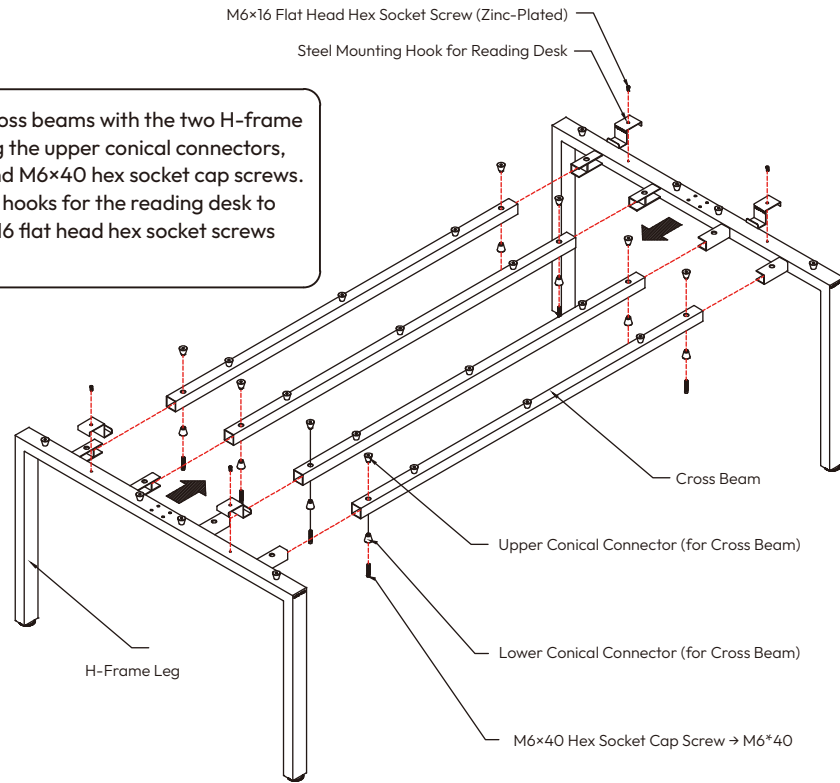
1. Refer to Attachment 1 for detailed installation steps.

X. Operating Instructions

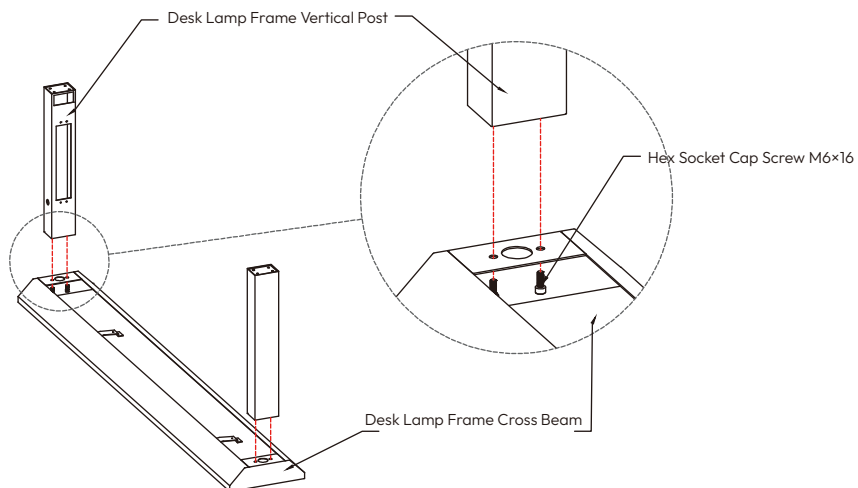
1. Press either side switch to turn on the light; press again to turn it off. Both switches are wired in parallel (dual-control configuration), allowing operation from either side.
2. The integrated socket supports both standard AC power plugs and USB charging devices.

Reading Desk – Assembly Diagram 1

1. First, assemble the four cross beams with the two H-frame legs. Then secure them using the upper conical connectors, lower conical connectors, and M6×40 hex socket cap screws.
2. Attach the steel mounting hooks for the reading desk to the H-frame legs using M6×16 flat head hex socket screws (zinc-plated).

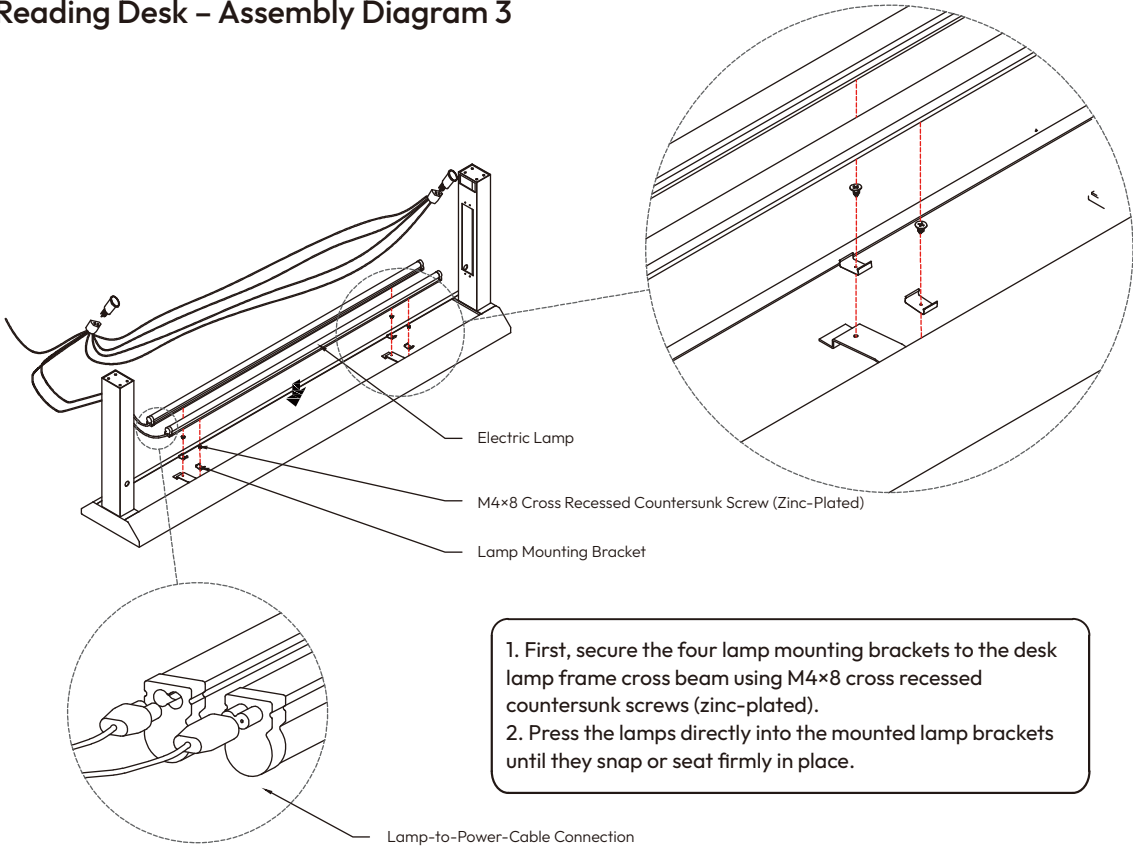


Reading Desk – Assembly Diagram 2

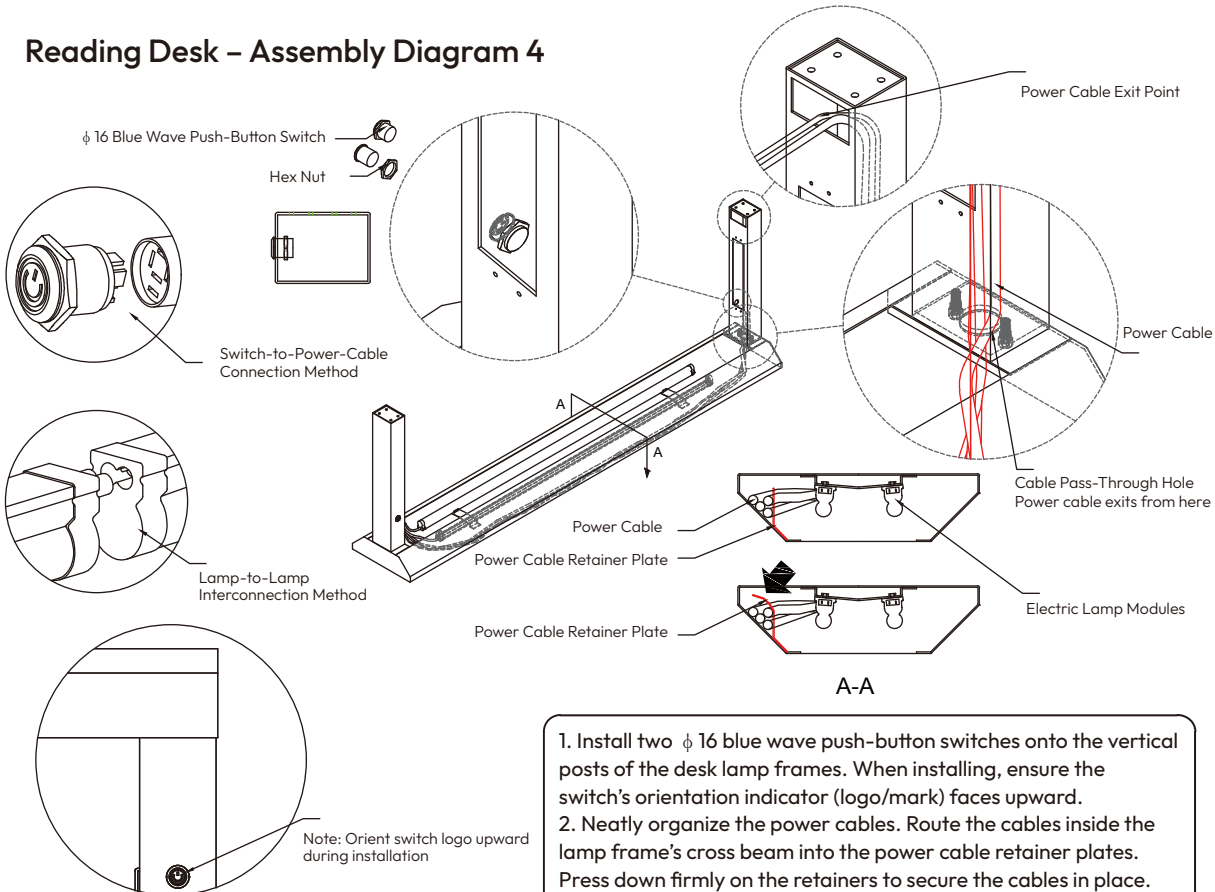


1. Secure the two desk lamp frame vertical posts to the desk lamp frame cross beam using M6×16 hex socket cap screws.

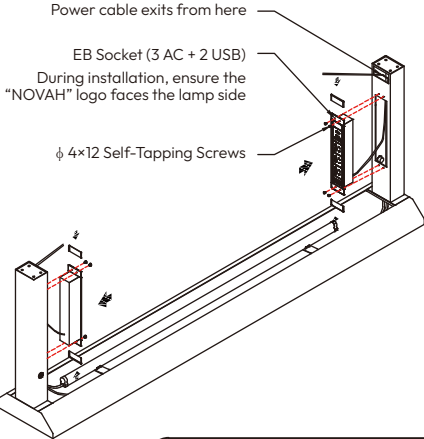
Reading Desk – Assembly Diagram 3



Reading Desk – Assembly Diagram 4

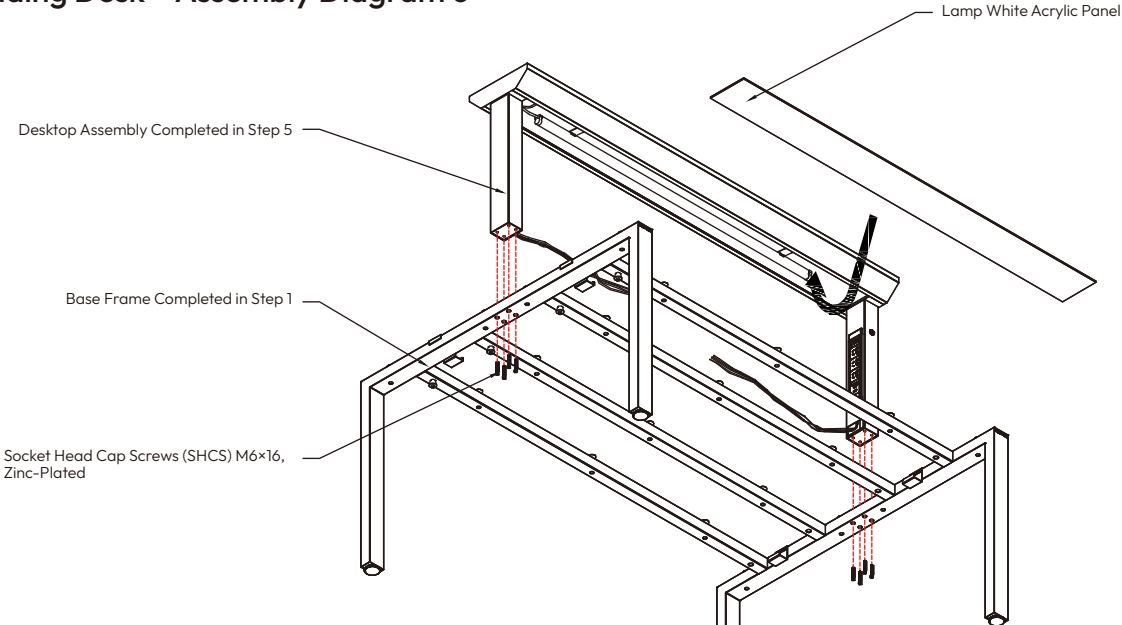


Reading Desk – Assembly Diagram 5



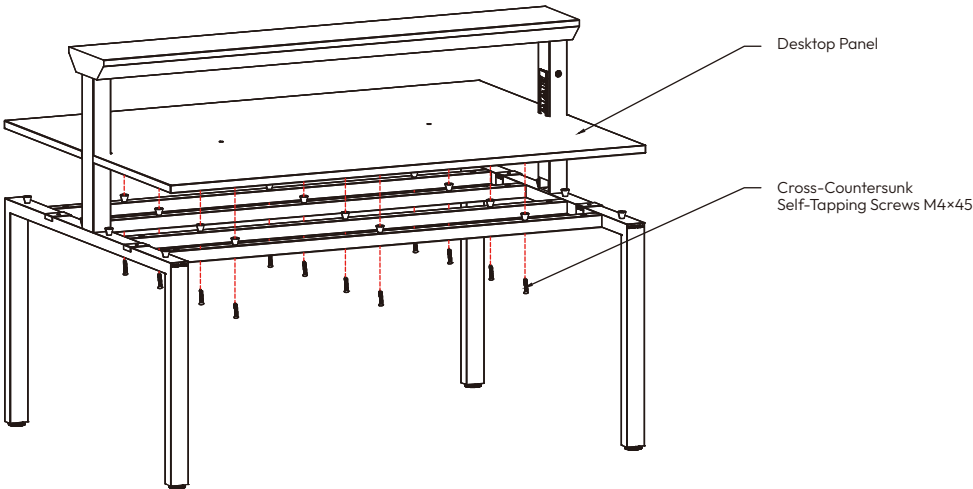
- 1. Mount two EB sockets (3 AC outlets + 2 USB ports) onto the vertical posts of the desk lamp frames using ϕ 4x12 self-tapping screws. Ensure correct orientation during installation.
- 2. Route the power cables out through the designated exit points.

Reading Desk – Assembly Diagram 6



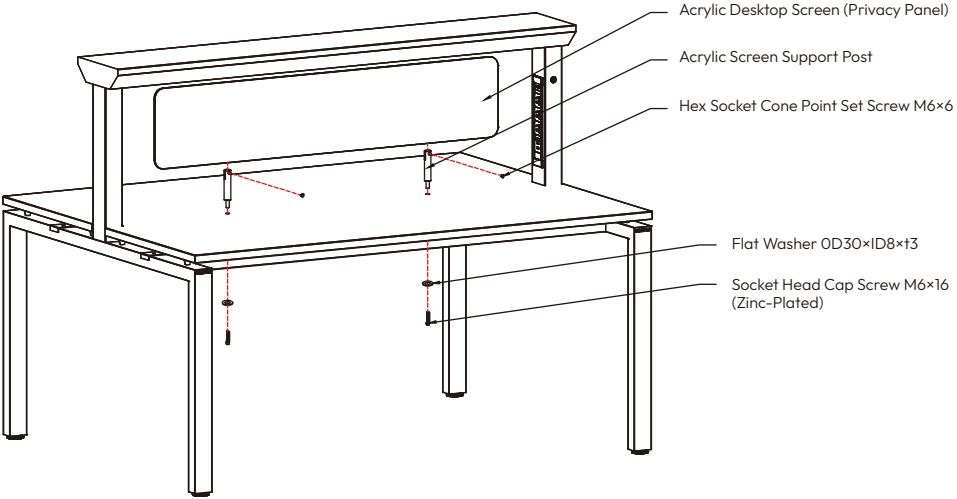
- 1. Secure the base frame (completed in Step 1) to the desktop assembly (completed in Step 5) using M6x16 zinc-plated socket head cap screws.
- 2. Insert the white acrylic lamp panel into the cross beam of the desk lamp frame. When installing, ensure all internal power cables are neatly routed and do not protrude above the acrylic surface.

Reading Desk – Assembly Diagram 7



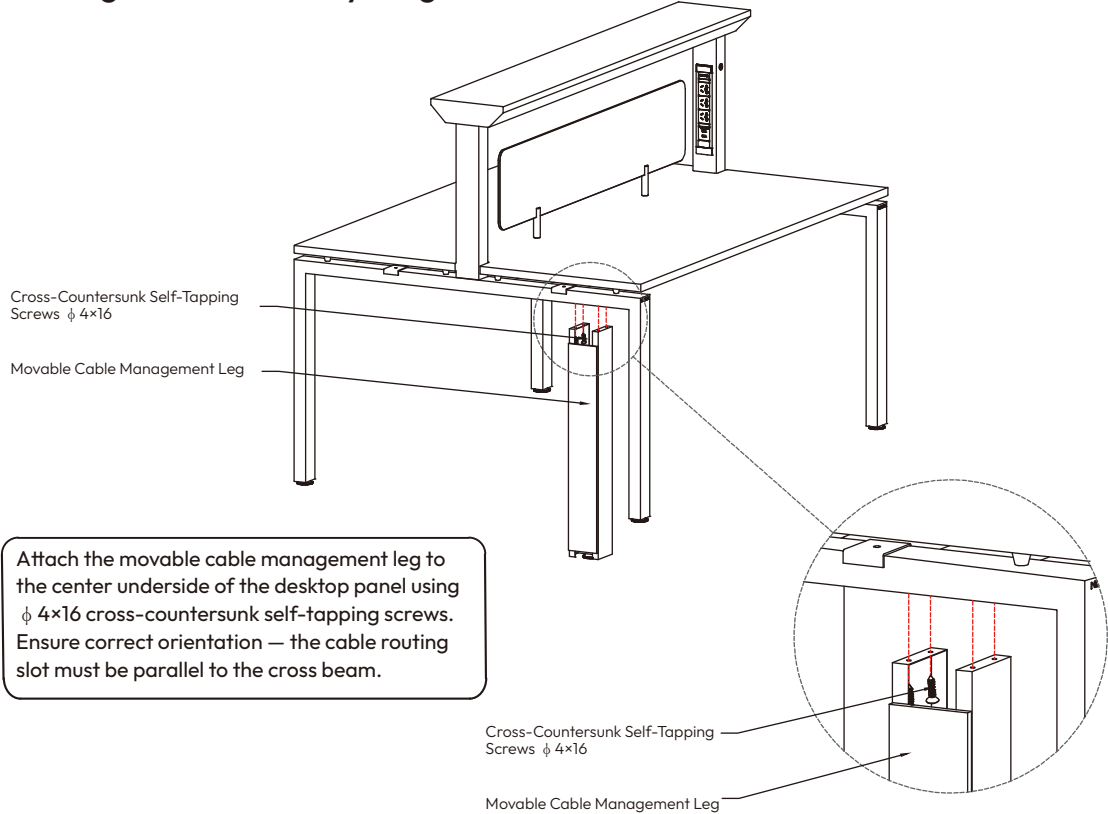
- 1. Place the desktop panel onto the reading desk frame assembled in Step 6.
- 2. Secure the desktop panel to the cross beams using M4x45 cross-countersunk self-tapping screws.

Reading Desk – Assembly Diagram 8

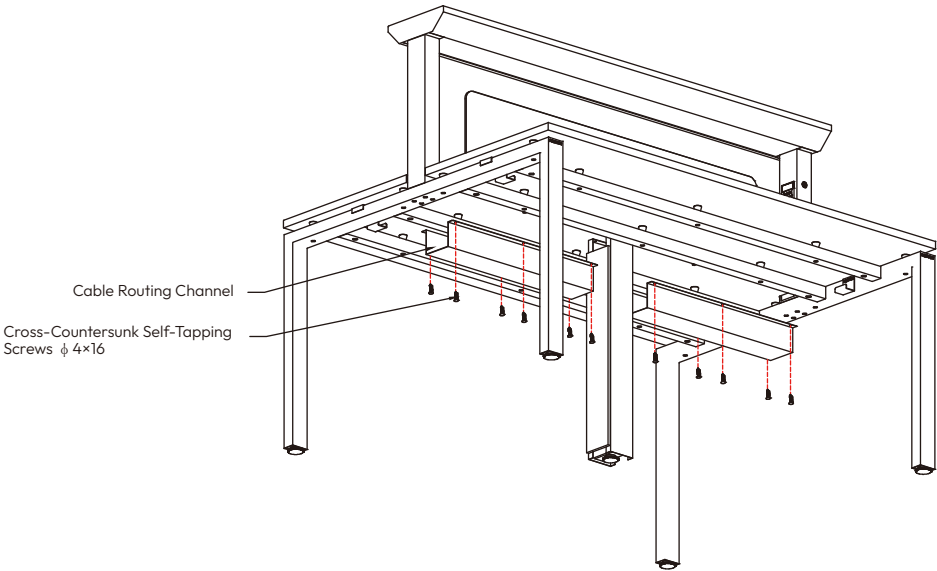


- 1. Mount the acrylic screen support posts onto the desktop panel using flat washers (OD30xID8x13) and M6x16 zinc-plated socket head cap screws.
- 2. Then secure the acrylic desktop screen to the support posts using M6x6 hex socket cone point set screws.

Reading Desk – Assembly Diagram 9



Reading Desk – Assembly Diagram 10



1. Thread the power cable through the cable entry hole in the movable cable management leg.
2. Secure the cable routing channel to the underside of the desktop panel using ϕ 4x16 cross-countersunk self-tapping screws. Position it between the two central cross beams, then place the power cable inside the channel.