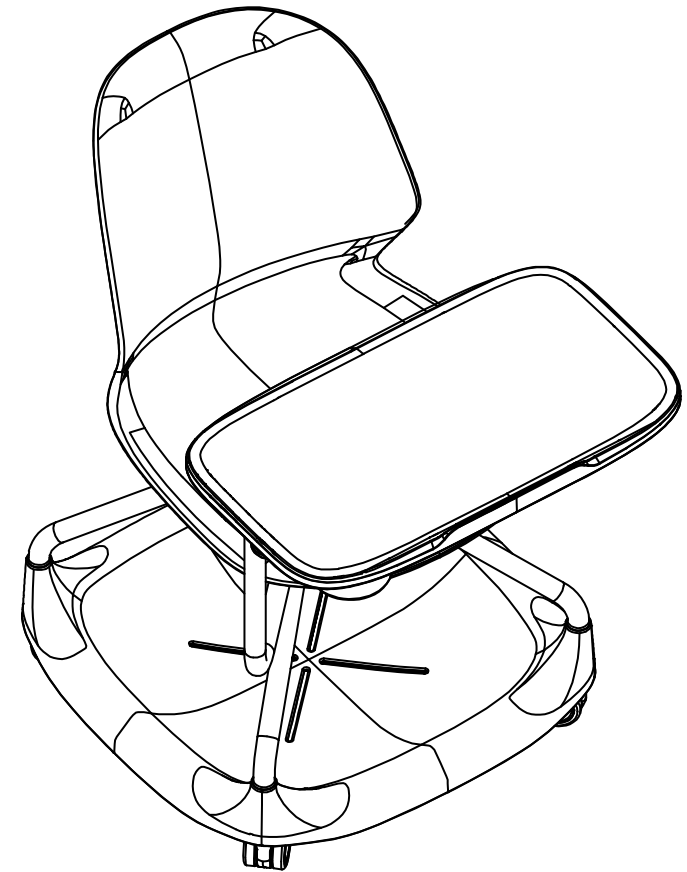


# Rango

Training Chair

**NOVAH**

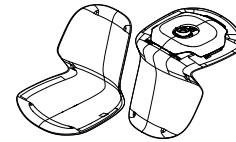


NOVAH System Technology Co.,Ltd.  
Tel: 400-115-1688  
Web: [www.novah.cc](http://www.novah.cc)  
Mail: [int@novah.cc](mailto:int@novah.cc)

**NOVAH**

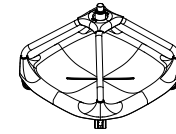
# Product Parts List

**A**



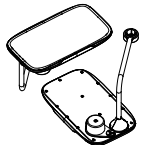
1X Backrest Assembly

**B**



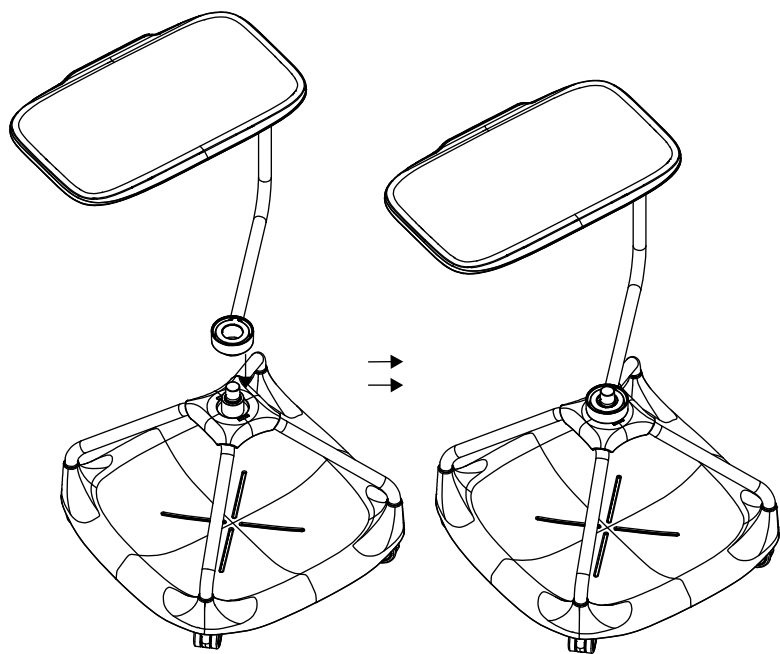
1X Leg Frame Assembly

**C**

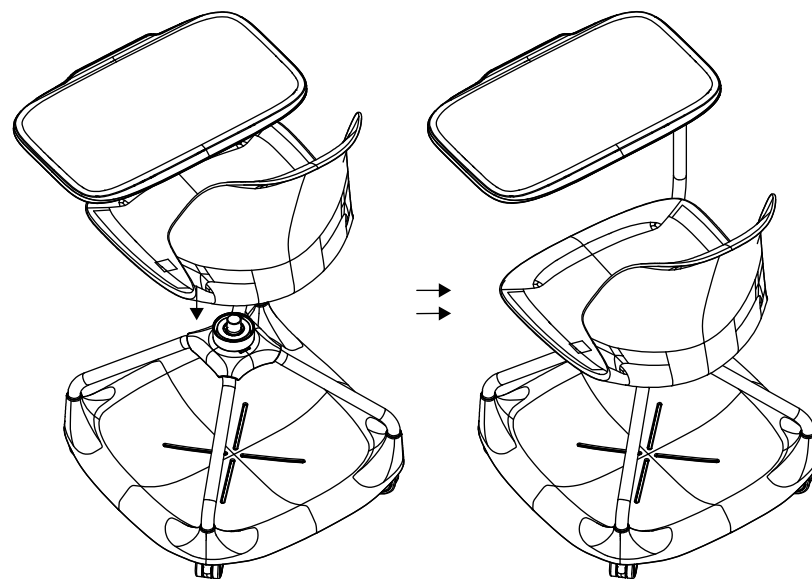


1X Desk Top Assembly

# Step 1



# Step 2



# Step 3

