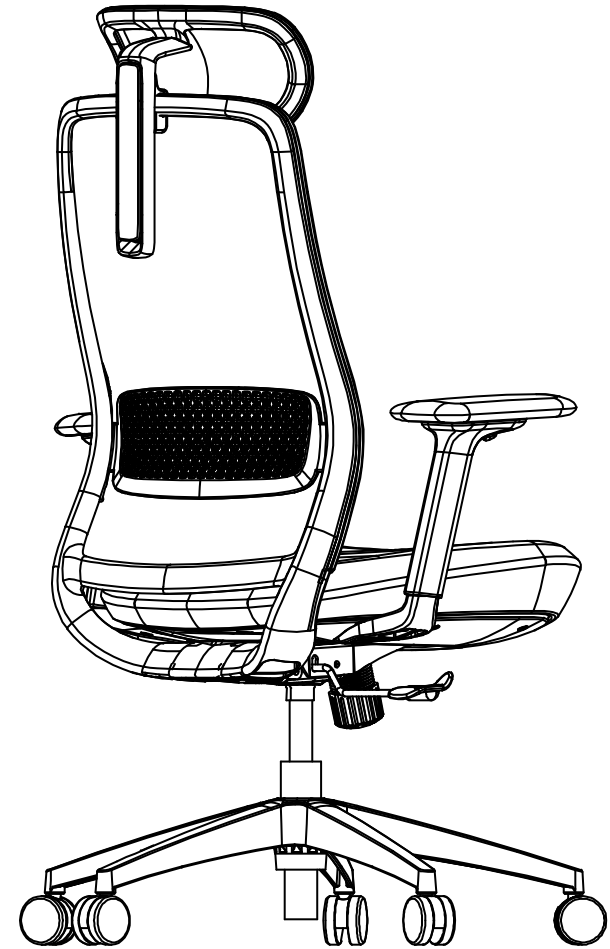


Zuna

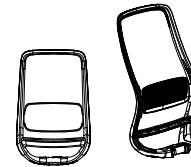
NOVAH



NOVAH System Technology Co.,Ltd.
Tel: 400-115-1688
Web: www.novah.cc
Mail: int@novah.cc

NOVAH

Product Parts List



1X(Back Frame)

Back Screws



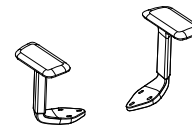
3x(Hex Socket Head
Cap Screw M8*45)



3x(Spring Washer M8*2)



3x(Flat WasherM8*2)



2X(Arms)

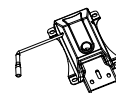
Arm Screws



6x(Hex Socket Head
Cap Screw M6*35)



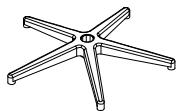
1X(Seat)



1X(Chassis)



1X(Gas cylinder)



1X(Base)

Step 1

Installation of the Five-star Base



1X(Headrest)

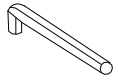
Headrest Screws



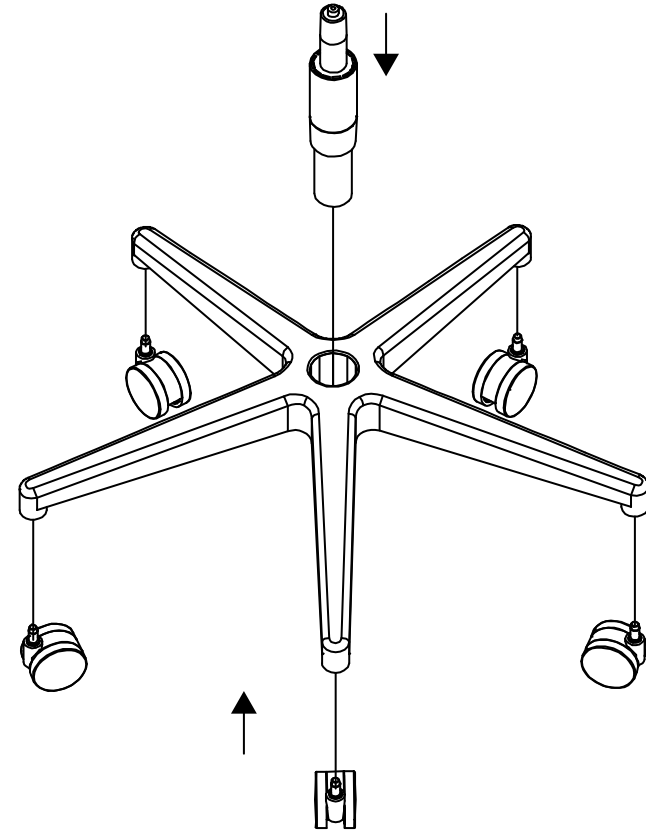
1x(Large flat-head socket head cap screw M6*16)



5X(Casters)

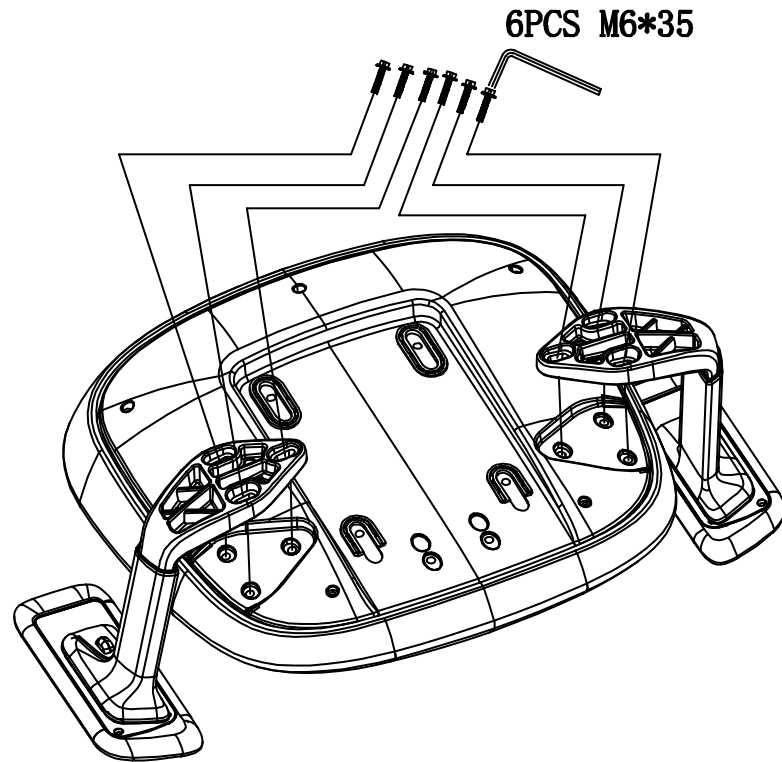


1X(Hex Wrench)



Step 2

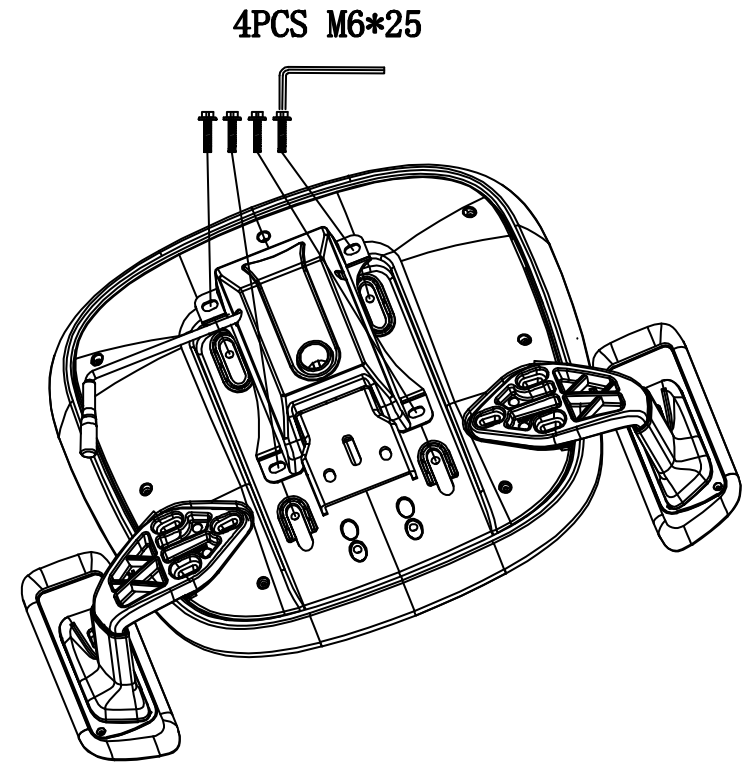
Installation of armrests



Note: The armrests may vary in shape based on different chair configurations, but the installation diagram is universal.

Step 3

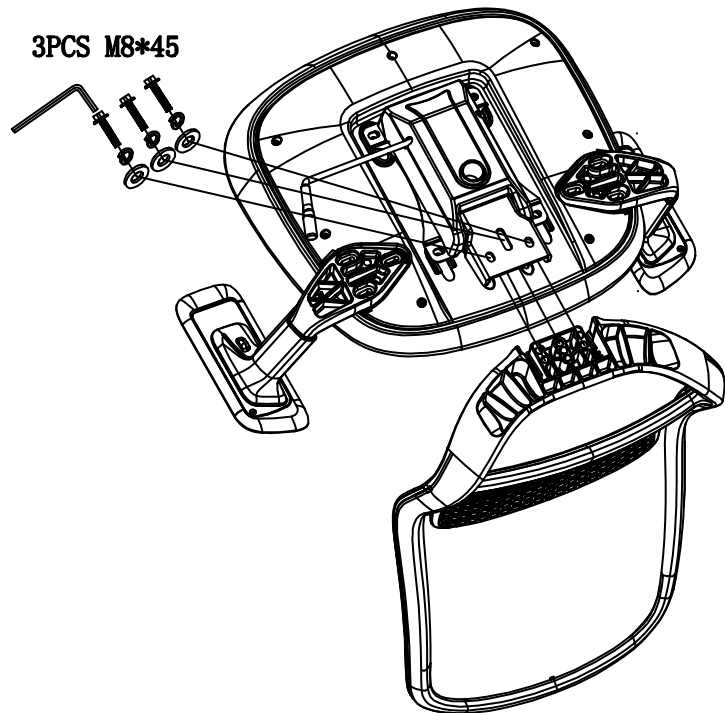
Installation of the Seat Plat



Note: The chair bases may vary in shape based on different chair configurations, but the installation diagram is universal.

Step 4

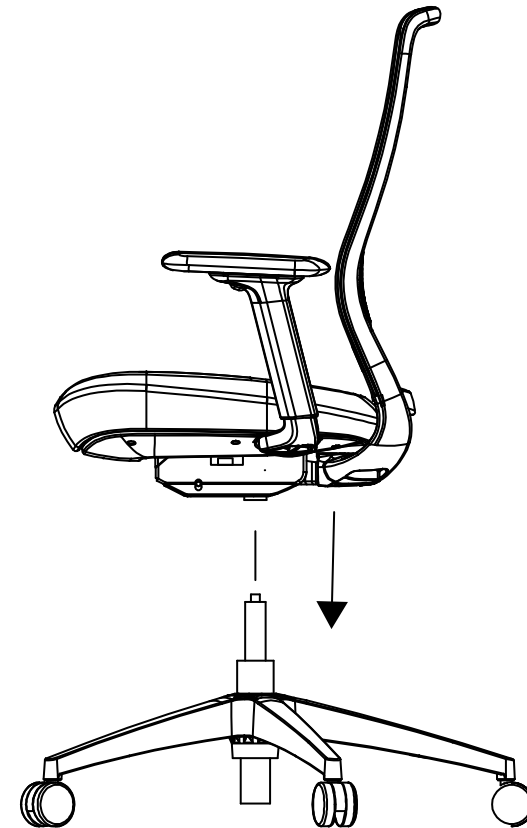
Installation of the Back Frame



Note: The configuration of lumbar supports may vary, but the installation diagram is universally applicable.

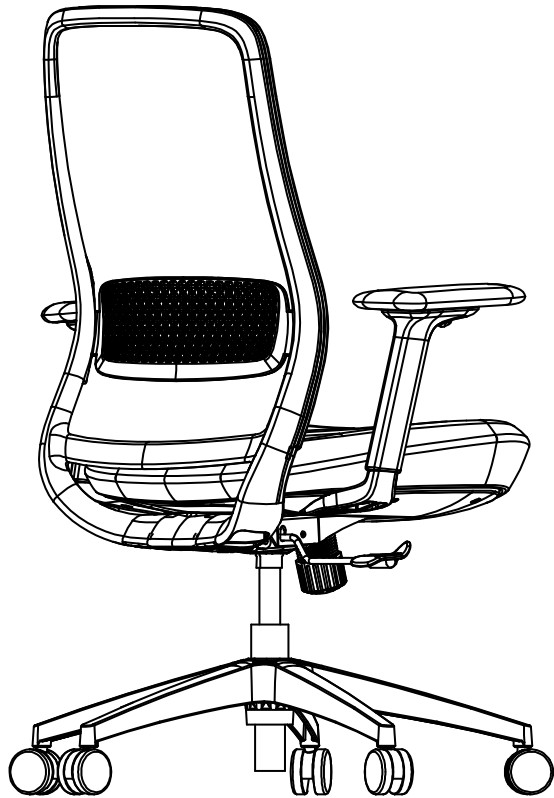
Step 5

Attach the chair body to the five-star base via the gas lift



Step 6

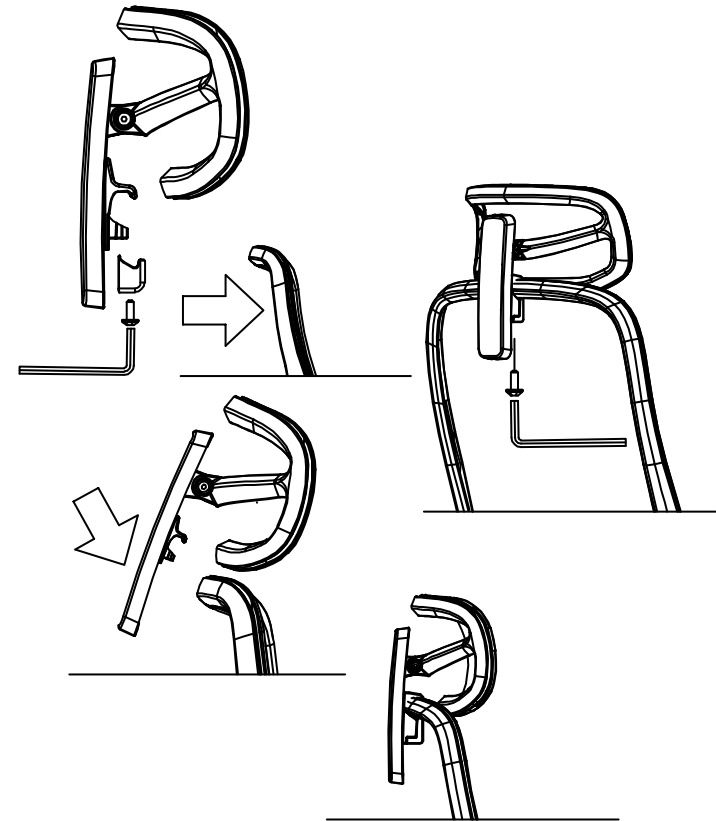
Complete



Step 7

Headrest installation

First, remove the bottom hex socket head cap screws



Note: The headrest should be installed in place and the cover should be installed in place and flat

Step 8

Headrest Complete

