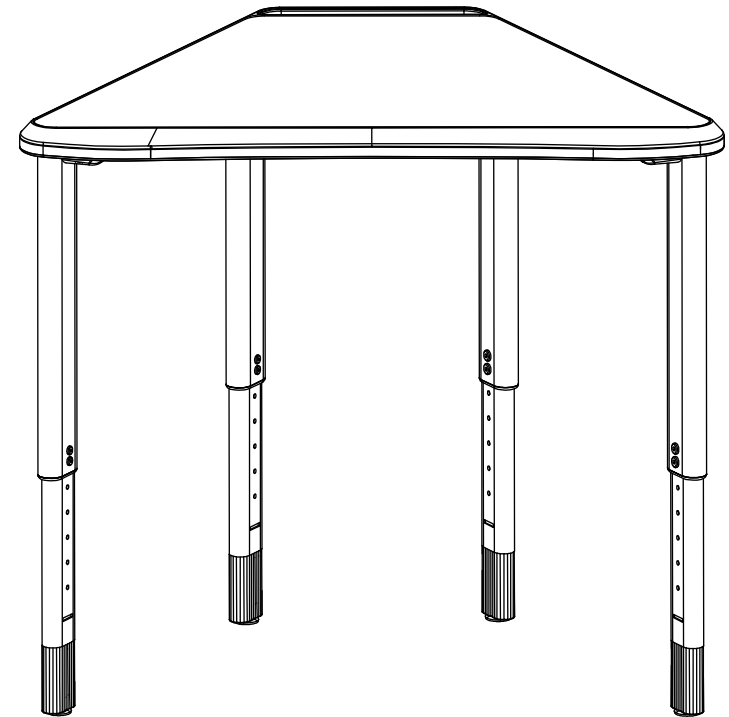


# Flexi

Adjustable Leg

**NOVAH**

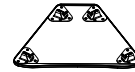


NOVAH System Technology Co.,Ltd.  
Tel: 400-115-1688  
Web: [www.novah.cc](http://www.novah.cc)  
Mail: [int@novah.cc](mailto:int@novah.cc)

**NOVAH**

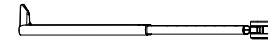
# Product Parts List

①



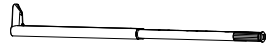
1xTable Assembly Panel

②



2xSingle Movable Leg  
Assembly for Joining Tables

③



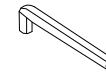
2xSingle Fixed Leg  
Assembly for Joining Tables

④



4xCountersunk Hex  
Socket Screws (M8\*20)

⑤

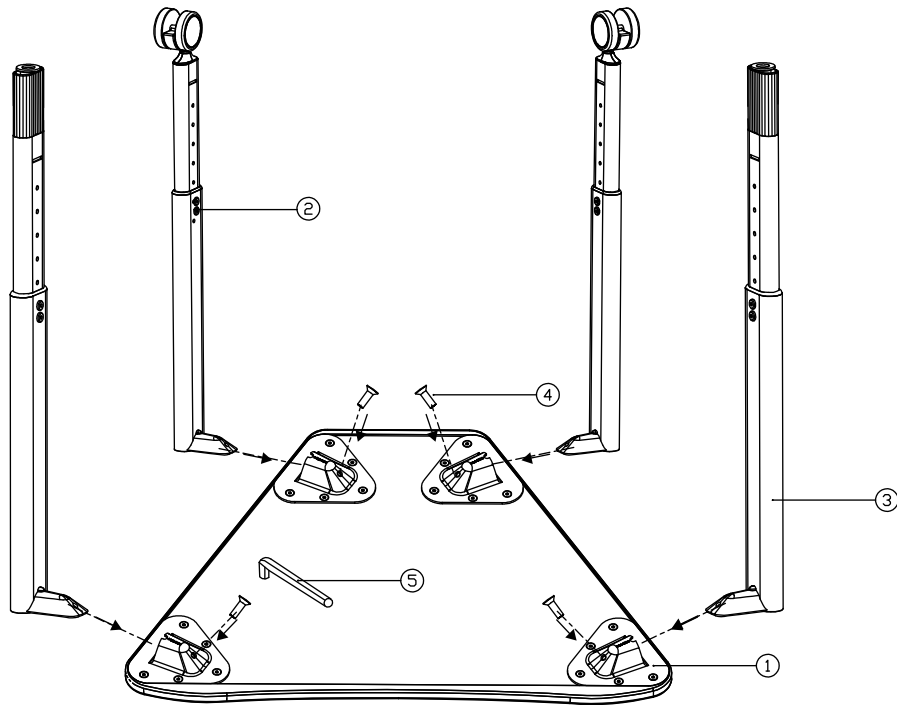


1xHex Wrench (5MM)

# Step 1

Step 1: First, insert the single movable leg assembly for joining tables into the metal slots on the table panel. Secure it tightly with countersunk hex socket screws.

Step 2: Next, insert the single fixed leg assembly for joining tables into the metal slots on the table panel. Secure it tightly with countersunk hex socket screws.



# Step 2

Complete

