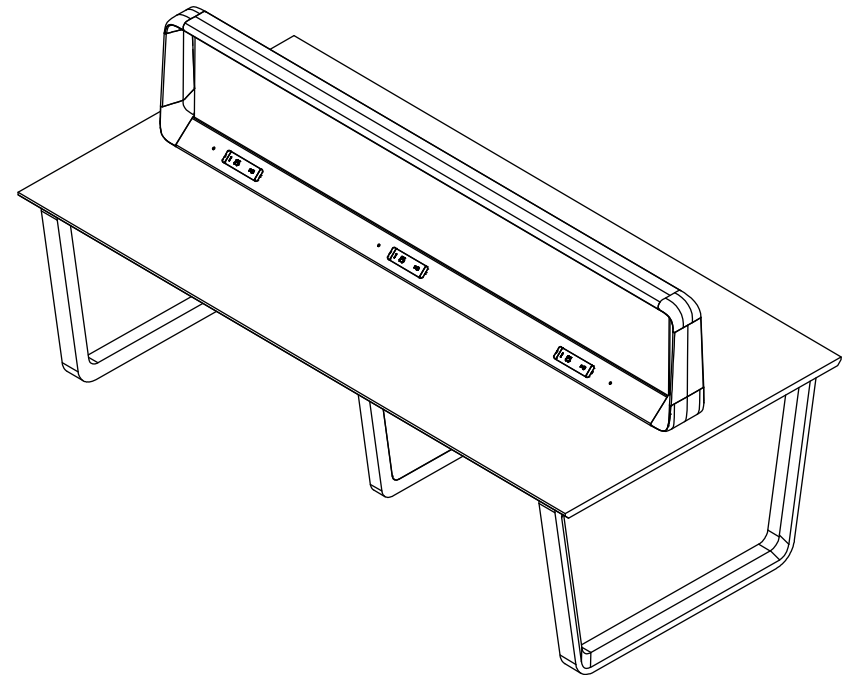


Mind

6-Person Solid Wood Leg
Reading Table

NOVAH

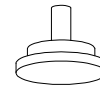


NOVAH System Technology Co.,Ltd.
Tel: 400-115-1688
Web: www.novah.cc
Mail: int@novah.cc

NOVAH

Product Parts List

①



4XFoot Pads

②



24X(Countersunk Head
Self-Tapping
Screw 4*16_Galvanized)

③



6X(Cross-Head Self-Tapping
Screws 5*60_Galvanized)

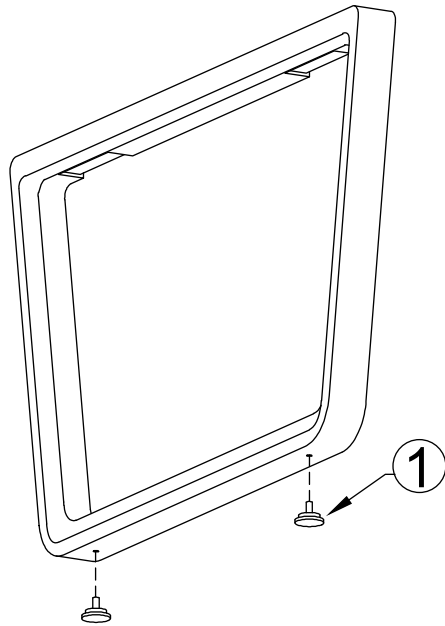
④



6X(Cross-Head Self-Tapping
Screws 5*35_Galvanized)

Step 1

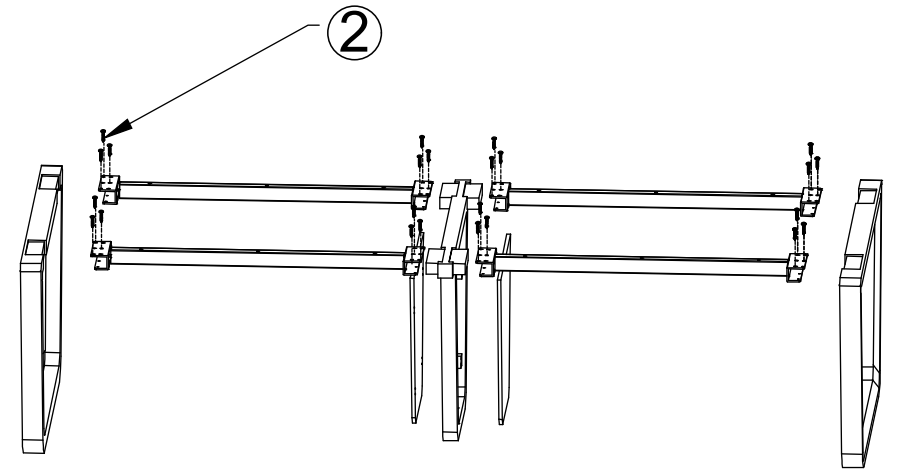
Solid Wood Ring Leg Installation



X2

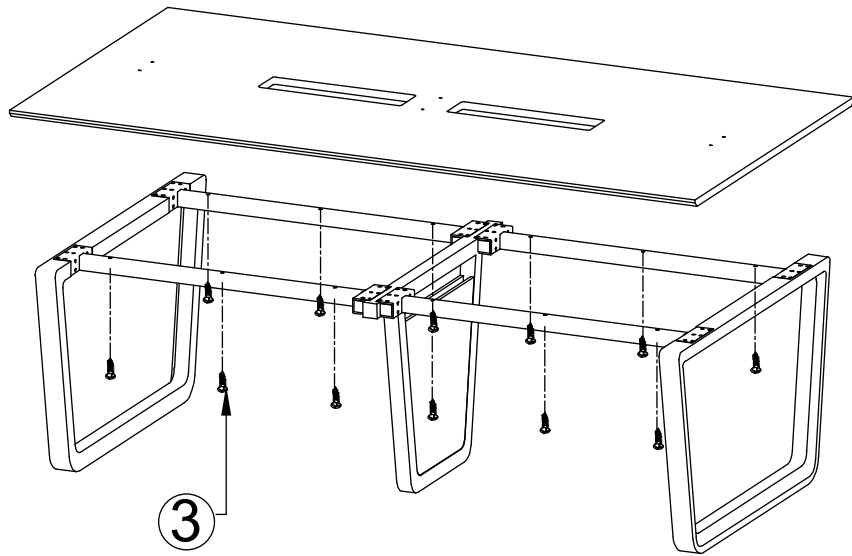
Step 2

Six-Person Solid Wood Crossbeam Installation



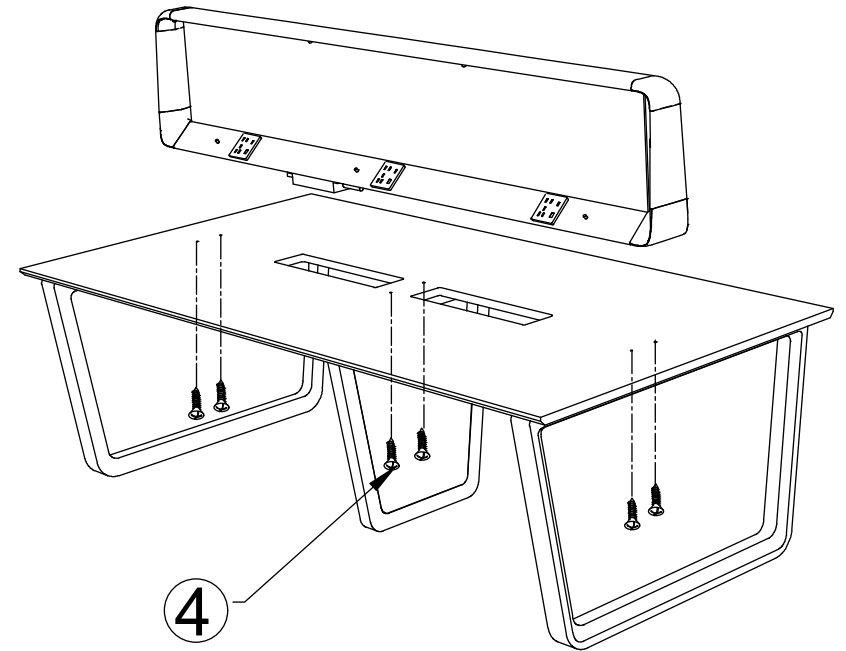
Step 3

Six-Person Tabletop Installation



Step 4

Middle Lamp Bracket Installation



Step 5

Installation Complete

