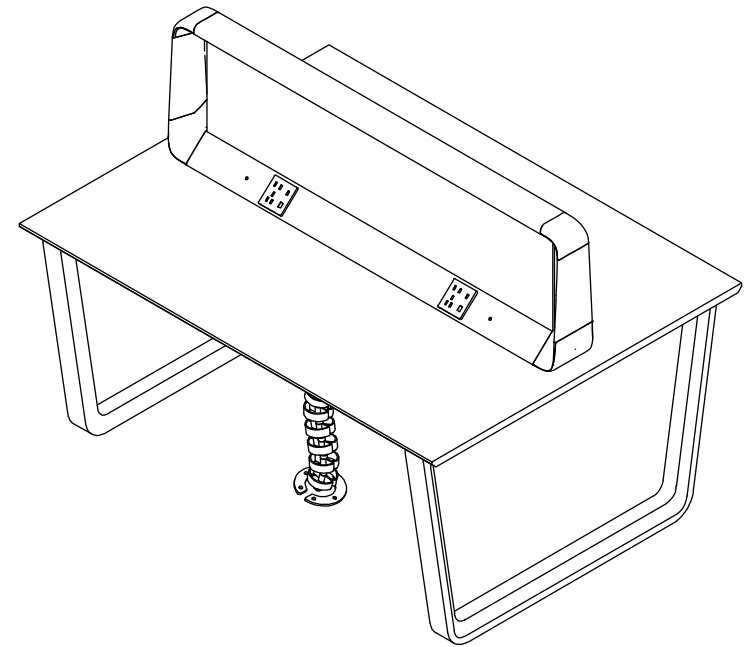


Mind

4-Person Solid Wood Leg
Reading Table

NOVAH

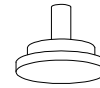


NOVAH System Technology Co.,Ltd.
Tel: 400-115-1688
Web: www.novah.cc
Mail: int@novah.cc

NOVAH

Product Parts List

①



4XFoot Pads

②



1XFlexible Pipe
Φ60*725mm

③



24X(Countersunk Head
Self-Tapping
Screw 4*16_Galvanized)

④



6X(Cross-Head Self-Tapping
Screws 5*60_Galvanized)

⑤



6X(Cross-Head Self-Tapping
Screws 5*35_Galvanized)

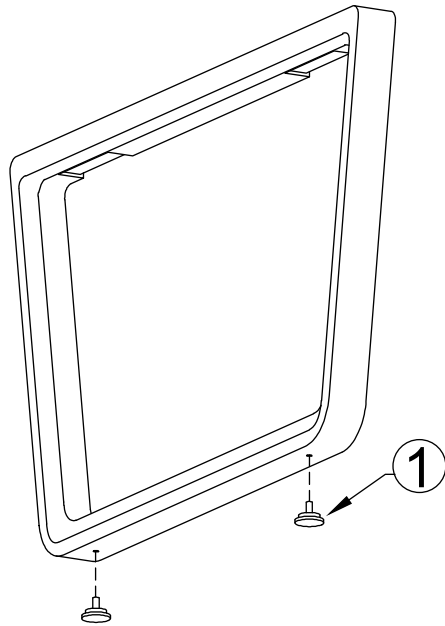
⑥



4X(Countersunk Head
Self-Tapping
Screw 4*20_Galvanized)

Step 1

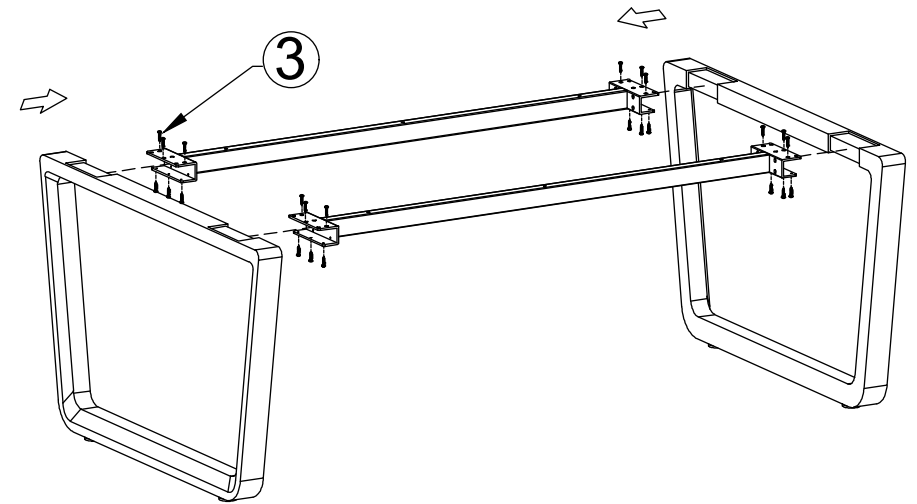
Solid Wood Ring Leg Installation



X2

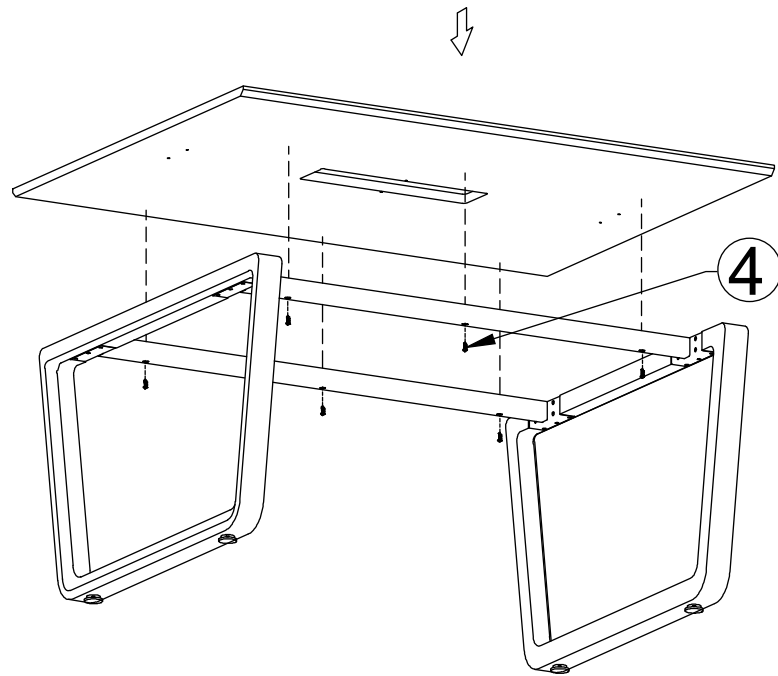
Step 2

Four-Person Solid Wood Crossbeam Installation



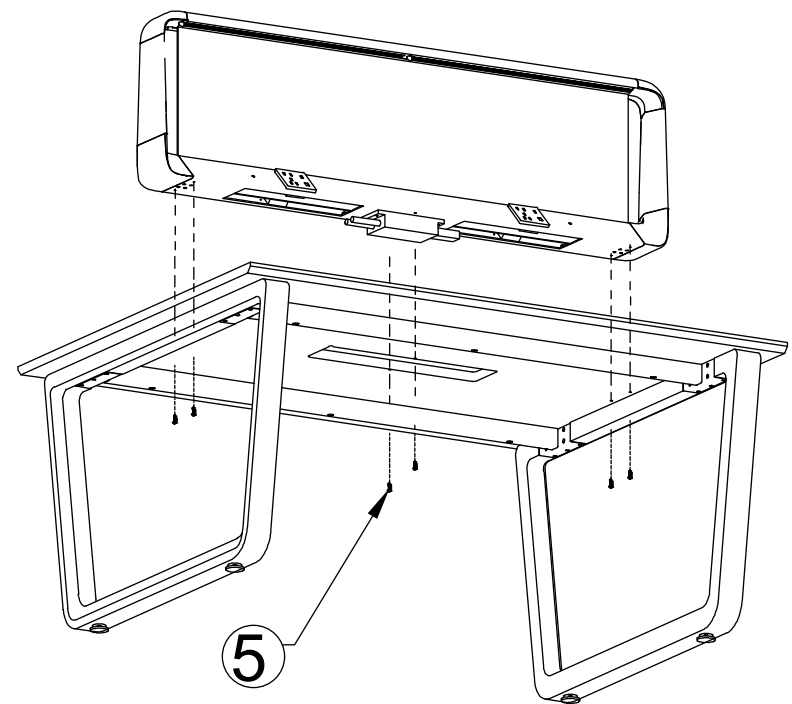
Step 3

Four-Person Tabletop Installation



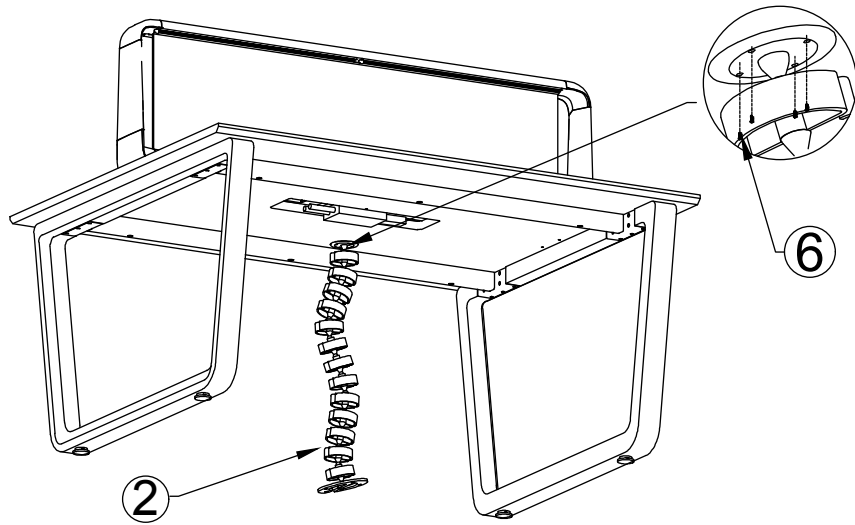
Step 4

Middle Lamp Bracket Installation



Step 5

Flexible Pipe Installation



Step 6

Installation Complete

