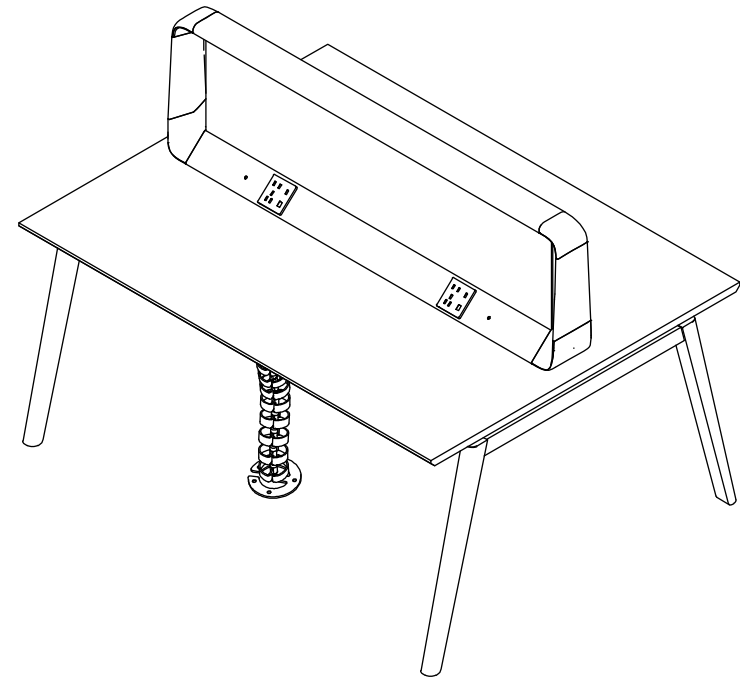


Mind

4-Person Cluster A-type
Leg Reading Table

NOVAH

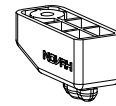


NOVAH System Technology Co.,Ltd.
Tel: 400-115-1688
Web: www.novah.cc
Mail: int@novah.cc

NOVAH

Product Parts List

①



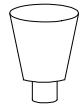
6X Crossbeam Support Pieces

②



1X Flexible Pipe
Φ60*725mm

③



8X Table Top Conical
Support Pieces

④



4X (Countersunk Head
Self-Tapping
Screw 4*20_Galvanized)

⑤



8X (Countersunk Head
Self-Tapping Screw 4.0*45)

⑥



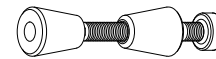
6X (Cross-Head Self-Tapping
Screws 5*35_Galvanized)

⑦



6X (Countersunk Head
Self-Tapping Screw 4.0*20)

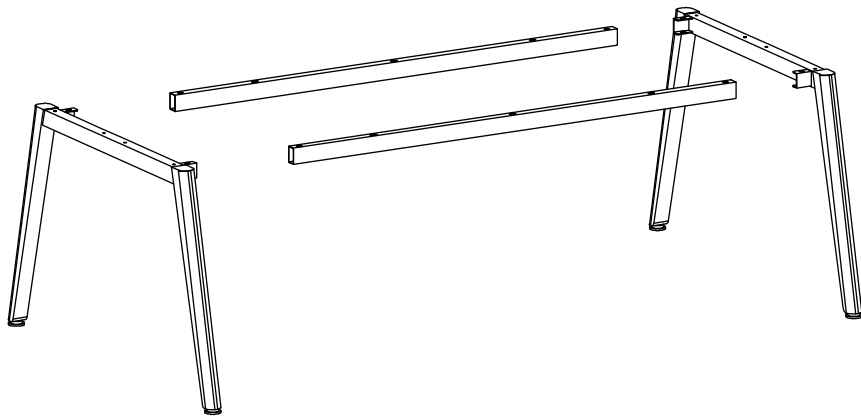
⑧



8X Crossbeam Upper and
Lower Conical Connectors

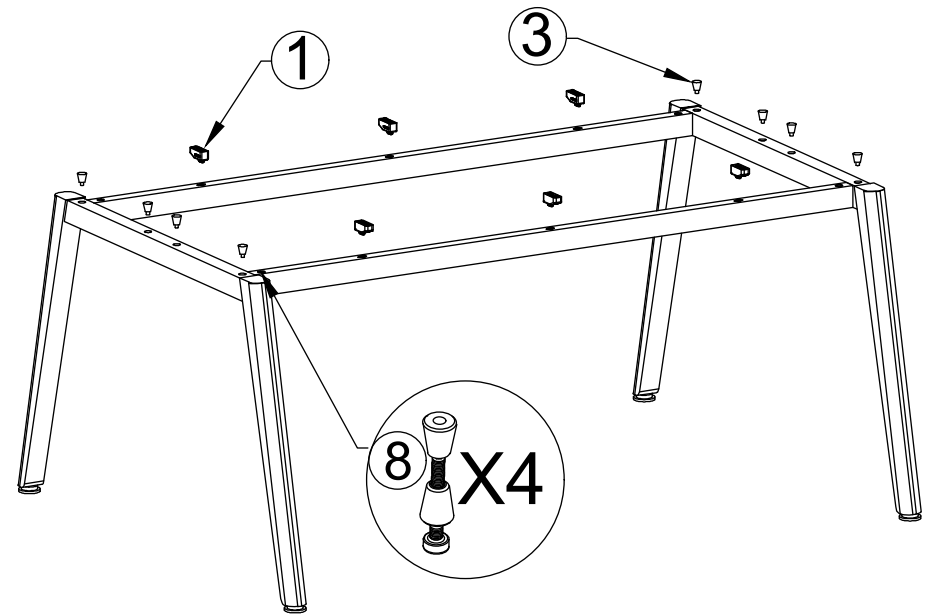
Step 1

A-Frame Leg Installation



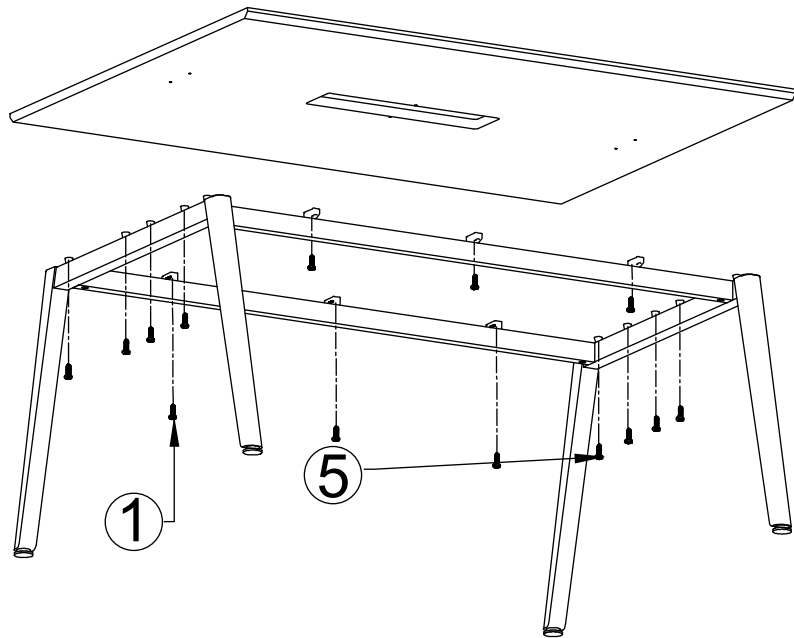
Step 2

Table Leg Frame Installation



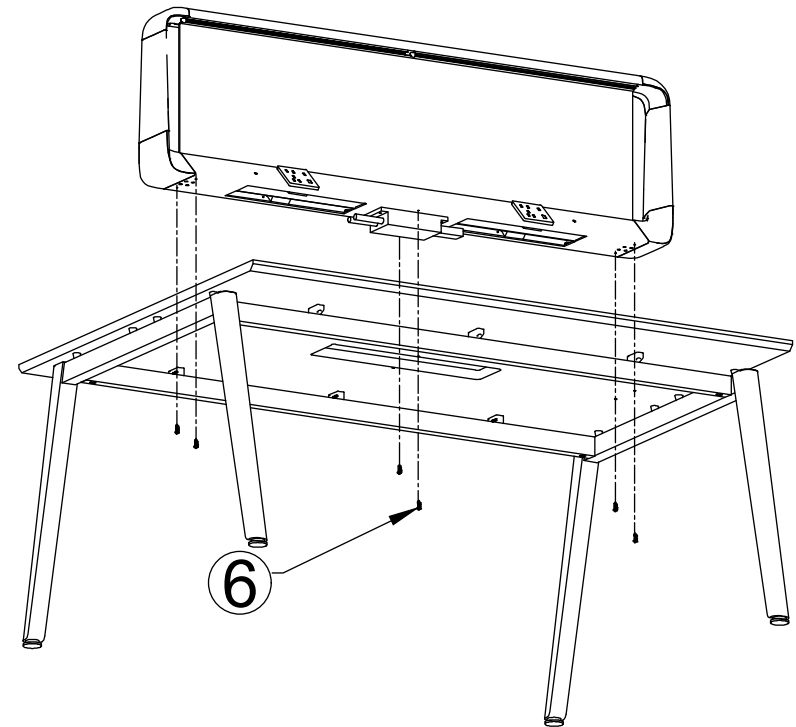
Step 3

Tabletop Installation



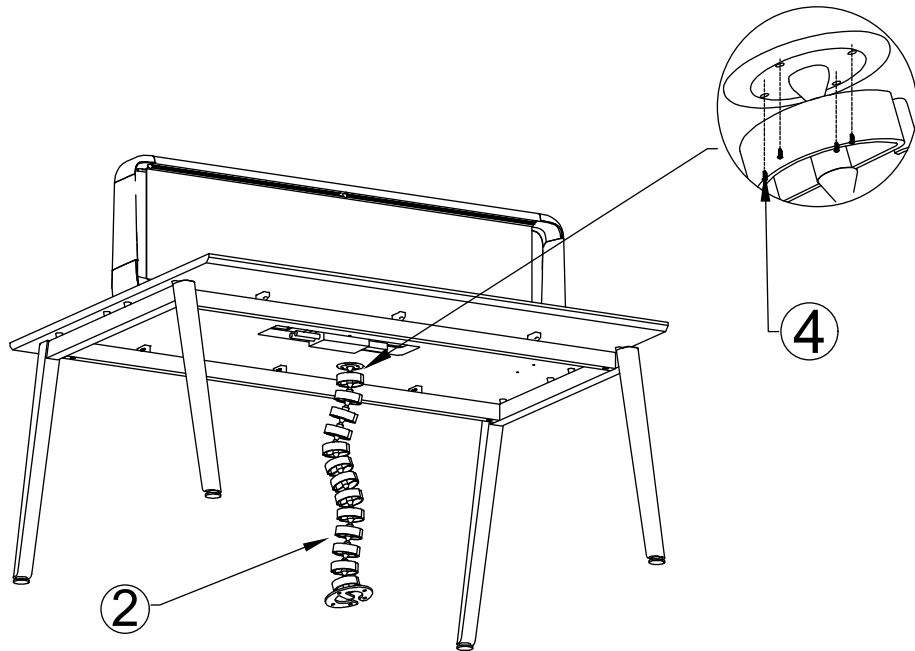
Step 4

Middle Lamp Bracket Installation



Step 5

Flexible Pipe Installation



Step 6

Installation Complete

