

Anyway Steel Cabinet Configuration Guide

General Color Configurations

1. Steel Panel Colors

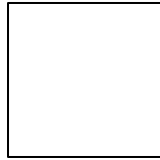
(1) Standard Regular Colors



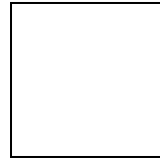
K5



K17



K18

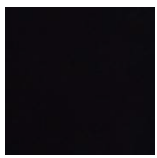


K20



K23

(2) Custom Regular Colors



K15



K19

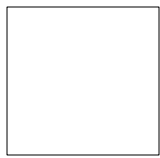


K22

2. Roll-Up Door Strip Colors



P1



P2



P4

3. Handle Colors

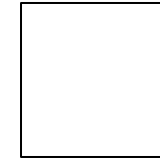
(1) Standard Regular Colors



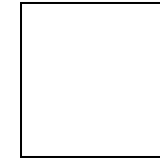
K5



K17



K18



K20



K23

(2) Custom Regular Colors



K15



K19



K22

(3) Colored Handles



K34



K36



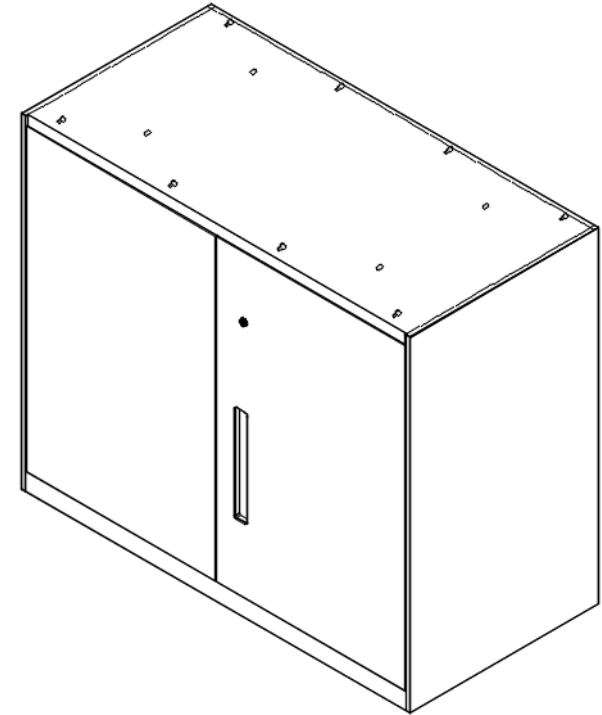
K37

Note: The images, material samples, and color cards are for reference only. Natural materials may vary; please refer to the actual product.

1. Opening Door Cabinets

A. Under-Desk Type

- **Dimensions:** W900×D450×H725mm.
- **Top Panel:** No steel top panel; can be used as a side cabinet of equal height to the desk, with options for a 25mm MFC, 30mm solid wood, or 25mm bamboo wood top panel.
- **Connection:** Can connect directly to the desk panel, serving as a fixed support cabinet for workstations or secondary desks.
- **Shelves:** Equipped with one set of 15mm thick steel shelves (including 4 shelf hooks), load capacity 60Kg; adjustable in 20mm increments.
- **Adjustable Feet:** 4 concealed M12*H40 adjustable feet, adjustment range 0-20mm.
- **Handle:** T6 metal inset single handle (color customizable).
- **Lock:** Standard 1201 opening door lock (key with NOVAH logo), key handle color standard P4 black; optional mechanical combination lock.

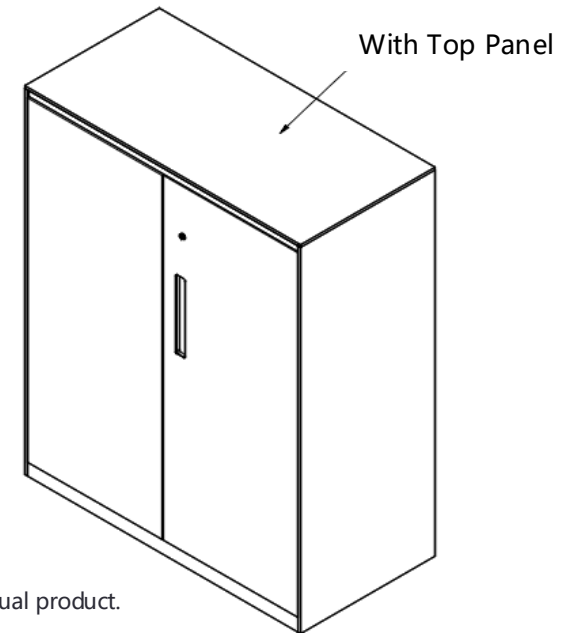
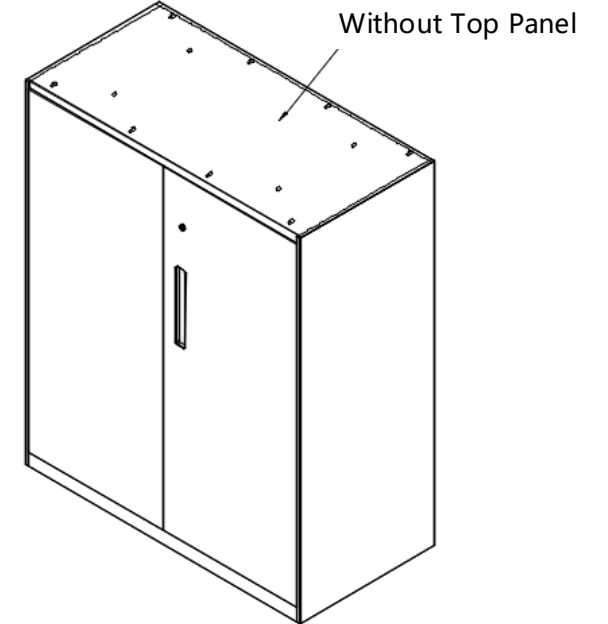


Anyway Steel Cabinet Configuration Guide

1. Opening Door Cabinets

B. Lower Placed, Independent Type

- Dimensions:**
 - No Top Panel (Lower Placed): W900×D450×H1089mm(3H); W900×D450×H1816mm(5H)
 - With Top Panel (Independent): W900×D450×H1095mm(3H); W900×D450×H1822mm(5H)
- Top Panel:** Lower placed cabinets without a top panel can be combined with upper placed cabinets or fitted with a 25mm MFC, 30mm solid wood, or 25mm bamboo wood top panel.
- Shelves:** 3H models come with two sets of 15mm thick steel shelves (8 hooks total); 5H models come with four sets (16 hooks total). Each set supports up to 60Kg and is adjustable in 20mm increments.
- Adjustable Feet:** 4 concealed M12*H40 adjustable feet, adjustment range 0-20mm.
- Handle:** T6 metal inset single handle (color customizable).
- Lock:** Standard 1201 opening door lock (key with NOVAH logo), key handle color standard P4 black; optional mechanical combination lock.

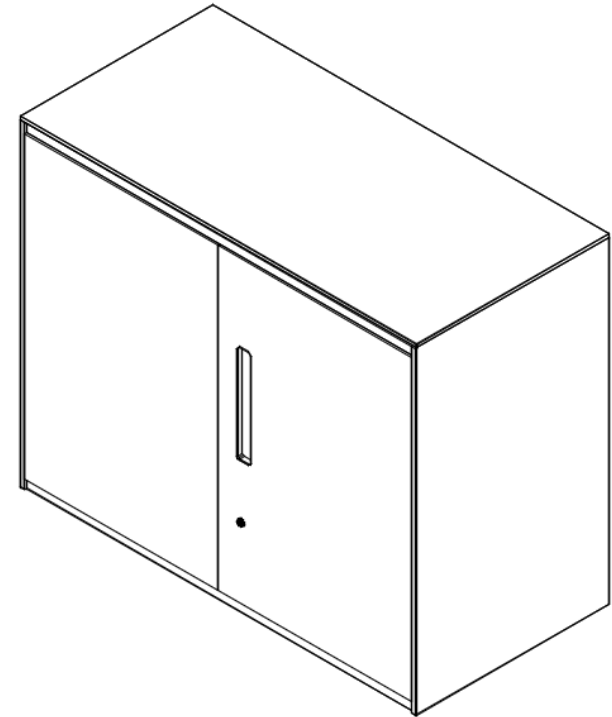


Note: The images, material samples, and color cards are for reference only. Natural materials may vary; please refer to the actual product.

1. Opening Door Cabinets

C. Upper Placed Type

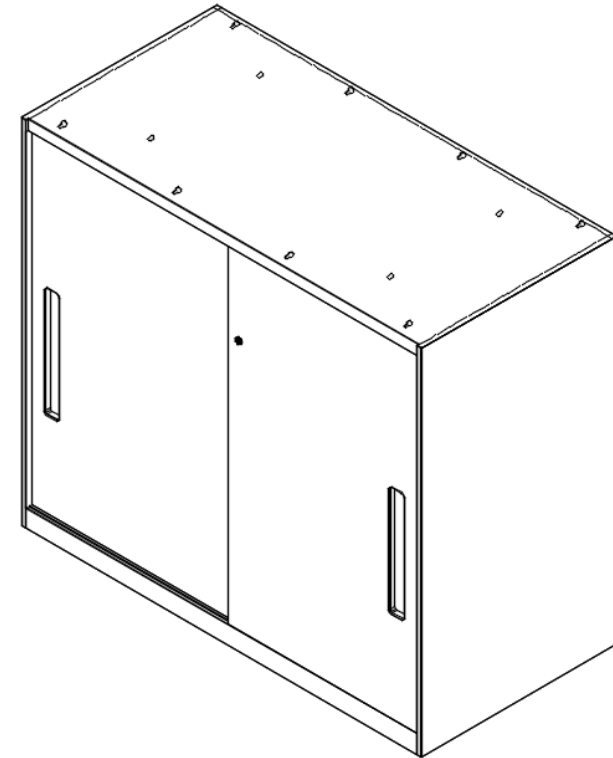
- **Dimensions:** W900×D450×H733mm.
- **Usage:** To be used in conjunction with lower placed cabinets without a top panel.
- **Shelves:** One set of 15mm thick steel shelves (4 hooks), load capacity 60Kg; adjustable in 20mm increments.
- **Handle:** T6 metal inset single handle (color customizable).
- **Lock:** Standard 1201 opening door lock (key with NOVAH logo), key handle color standard P4 black; optional mechanical combination lock.



2. Sliding Door Cabinets

A. Under-Desk Type

- **Dimensions:** W900×D450×H725mm.
- **Top Panel:** Without steel top panel; can be used as a side cabinet of equal height to the desk, with options for a 25mm MFC, 30mm solid wood, or 25mm bamboo wood top panel.
- **Connection:** Can connect directly to the desk panel, serving as a fixed support cabinet for workstations or secondary desks.
- **Shelves:** One set of 15mm thick steel shelves (4 hooks), load capacity 60Kg; adjustable in 20mm increments.
- **Adjustable Feet:** Four concealed M12*H40 adjustable feet, adjustment range 0-20mm.
- **Handles:** T6 metal inset double handles (color customizable).
- **Lock:** Standard 1201 sliding door lock (key with NOVAH logo), key handle color standard P4 black.
- **Sliding Track:** Aluminum alloy, painted to match the cabinet color.



Anyway Steel Cabinet Configuration Guide

2. Sliding Door Cabinets

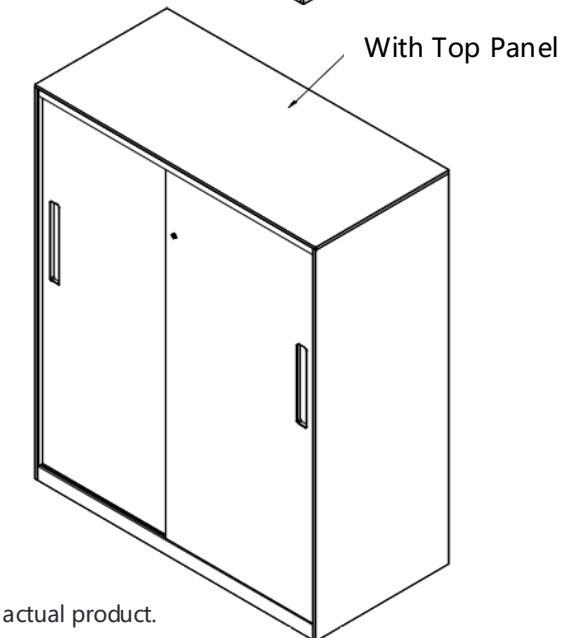
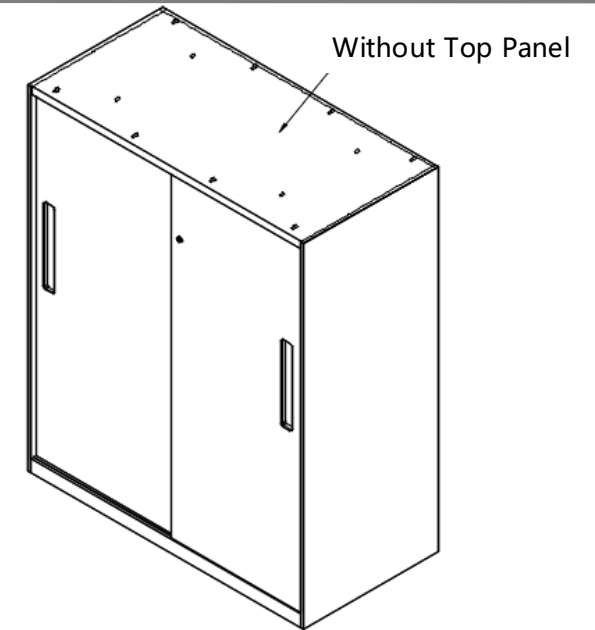
B. Lower Placed, Independent Type

- **Dimensions:**

Without Top Panel: W900×D450×H1089

With Top Panel: W900×D450×H1095

- **Top Panel:** Lower placed cabinets without a top panel can be combined with upper placed cabinets or fitted with a 25mm MFC, 30mm solid wood, or 25mm bamboo wood top panel.
- **Shelves:** Two sets of 15mm thick steel shelves (8 hooks total), each set supporting up to 60Kg and adjustable in 20mm increments.
- **Adjustable Feet:** Same as under-desk type.
- **Handles:** T6 metal inset double handles (color customizable).
- **Lock:** Standard 1201 sliding door lock (key with NOVAH logo), key handle color standard P4 black.
- **Sliding Track:** Aluminum alloy, painted to match the cabinet color.

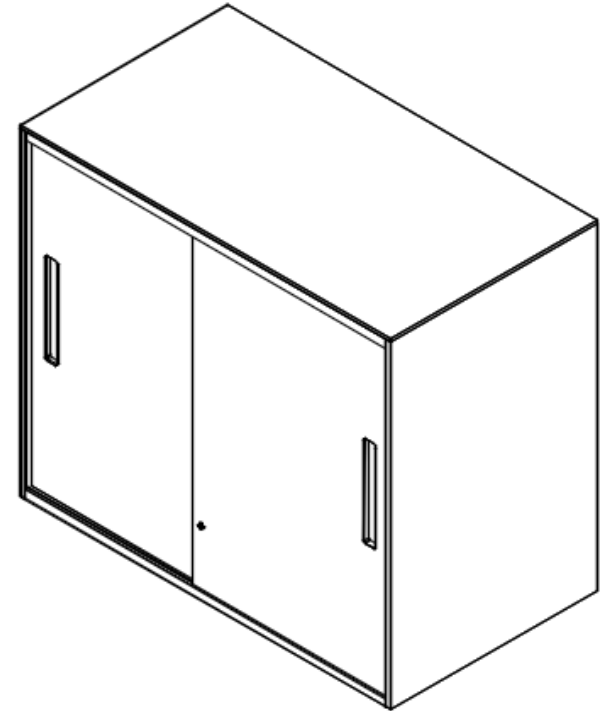


Note: The images, material samples, and color cards are for reference only. Natural materials may vary; please refer to the actual product.

2. Sliding Door Cabinets

C. Upper Placed Type

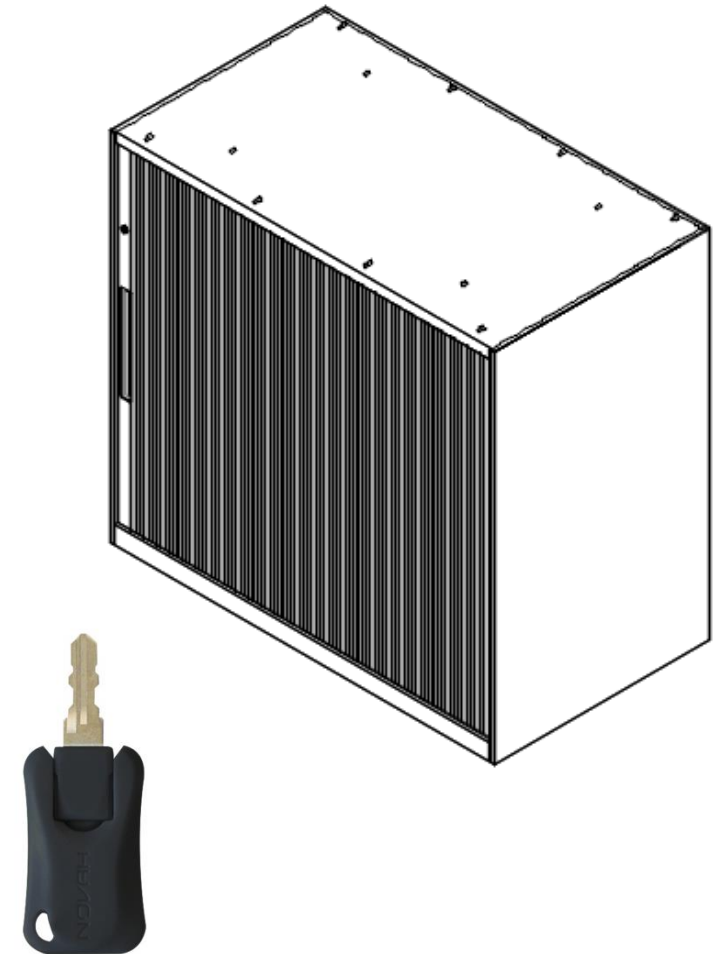
- **Dimensions:** W900×D450×H733mm.
- **Usage:** To be used in conjunction with lower placed cabinets without a top panel.
- **Shelves:** One set of 15mm thick steel shelves (4 hooks), load capacity 60Kg; adjustable in 20mm increments.
- **Handles:** T6 metal inset double handles (color customizable).
- **Lock:** Standard 1201 sliding door lock (key with NOVAH logo), key handle color standard P4 black.
- **Sliding Track:** Same as under-desk type.



3. Roll-Up Door Cabinets

A. Under-Desk Type

- **Dimensions:** W900×D450×H725mm.
- **Top Panel:** Without steel top panel; can be used as a side cabinet of equal height to the desk, with options for a 25mm MFC, 30mm solid wood, or 25mm bamboo wood top panel.
- **Connection:** Can connect directly to the desk panel, serving as a fixed support cabinet for workstations or secondary desks.
- **Shelves:** One set of 15mm thick steel shelves (4 hooks), load capacity 60Kg; adjustable in 20mm increments.
- **Adjustable Feet:** Four concealed M12*H40 adjustable feet, adjustment range 0-20mm.
- **Handles:** T6 metal inset single handle (color customizable).
- **Lock:** Standard roll-up door lock with main and auxiliary locks (key with NOVAH logo), key handle color standard P4 black; optional mechanical combination lock, height ≤725H.
- **Roll-Up Mechanism:** Equipped with a four-circuit worm gear track, upper and lower tracks, and 14.5mm roll-up strips (color customizable).
- **Configuration:** Available as left or right single pull roll-up door, illustrated configuration is right-oriented.



Anyway Steel Cabinet Configuration Guide

3. Roll-Up Door Cabinets

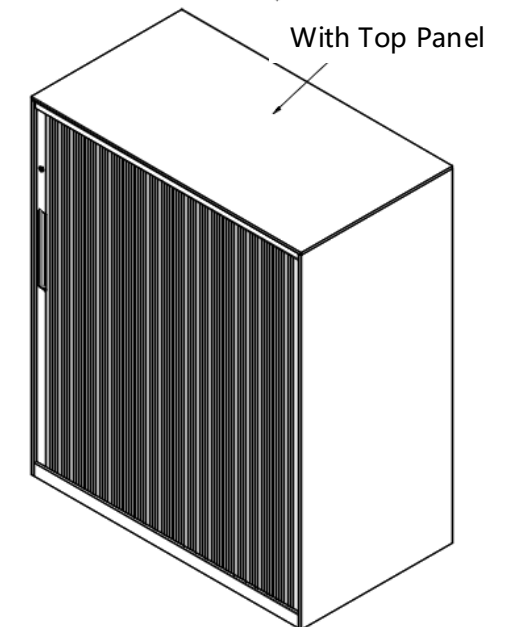
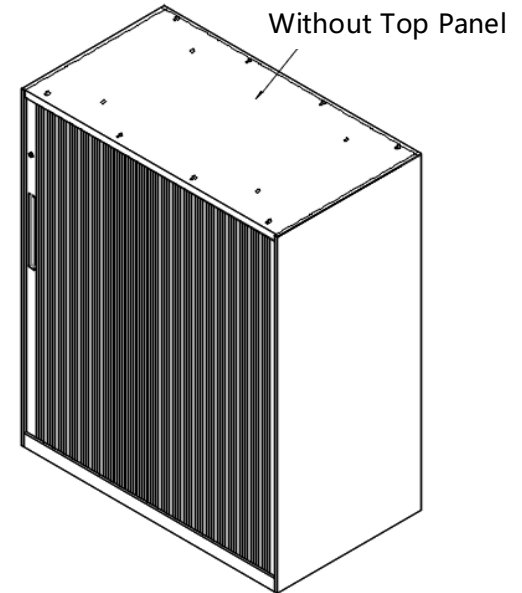
B. Lower Placed, Independent Type

- **Dimensions:**

Without Top Panel (Lower Placed): W900×D450×H1089(3H); W900×D450×H1816(5H)

With Top Panel (Independent): W900×D450×H1095(3H); W900×D450×H1822(5H)

- **Top Panel:** Lower placed cabinets without a top panel can be combined with upper placed cabinets or fitted with a 25mm MFC, 30mm solid wood, or 25mm bamboo wood top panel.
- **Shelves:** 3H models come with two sets of 15mm thick steel shelves (8 hooks total); 5H models come with four sets (16 hooks total). Each set supports up to 60Kg and is adjustable in 20mm increments.
- **Adjustable Feet:** Same as under-desk type.
- **Handles:** T6 metal inset single handle (color customizable).
- **Lock:** Standard roll-up door lock with main and auxiliary locks (key with NOVAH logo), key handle color standard P4 black; optional mechanical combination lock, height $\leq 725H$.
- **Roll-Up Mechanism:** Equipped with a four-circuit worm gear track, upper and lower tracks, and 14.5mm roll-up strips (color customizable).
- **Configuration:** Available as left or right single pull roll-up door, illustrated configuration is right-oriented.

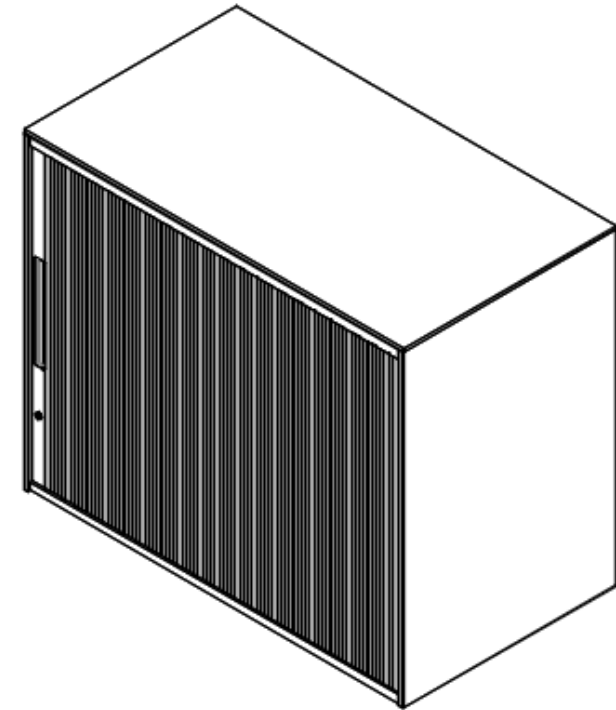


Note: The images, material samples, and color cards are for reference only. Natural materials may vary; please refer to the actual product.

3. Roll-Up Door Cabinets

C. Upper Placed Type

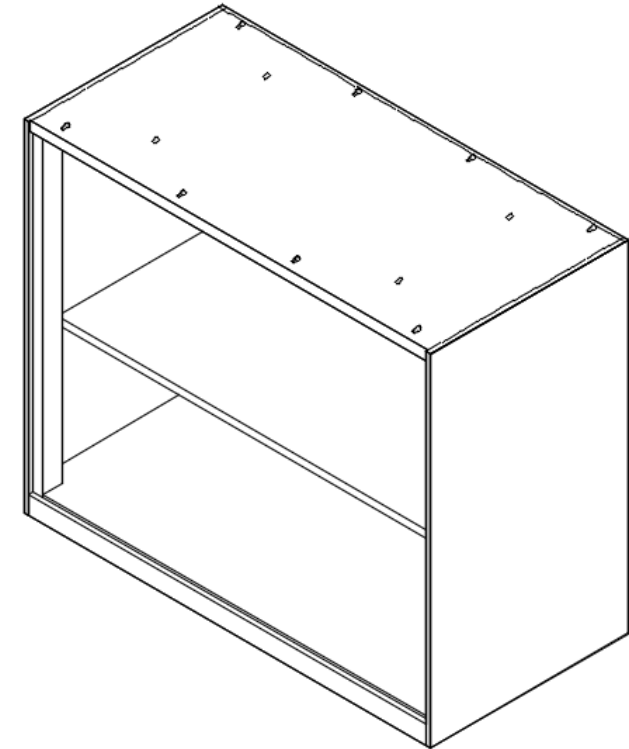
- **Dimensions:** W900×D450×H733mm.
- **Usage:** To be used in conjunction with lower placed cabinets without a top panel.
- **Shelves:** One set of 15mm thick steel shelves (4 hooks), load capacity 60Kg; adjustable in 20mm increments.
- **Handles and Lock:** Same as under-desk type.
- **Roll-Up Mechanism:** Same as under-desk type.
- **Configuration:** Available as left or right single pull roll-up door, illustrated configuration is right-oriented.



4. Open Shelf Cabinets

A. Under-Desk Type

- **Dimensions:** W900×D450×H725mm.
- **Top Panel:** Without steel top panel; can be used as a side cabinet of equal height to the desk, with options for a 25mm MFC, 30mm solid wood, or 25mm bamboo wood top panel.
- **Connection:** Can connect directly to the desk panel, serving as a fixed support cabinet for workstations or secondary desks.
- **Shelves:** One set of 15mm thick steel shelves (4 hooks), load capacity 60Kg; adjustable in 20mm increments.
- **Adjustable Feet:** Four concealed M12*H40 adjustable feet, adjustment range 0-20mm.

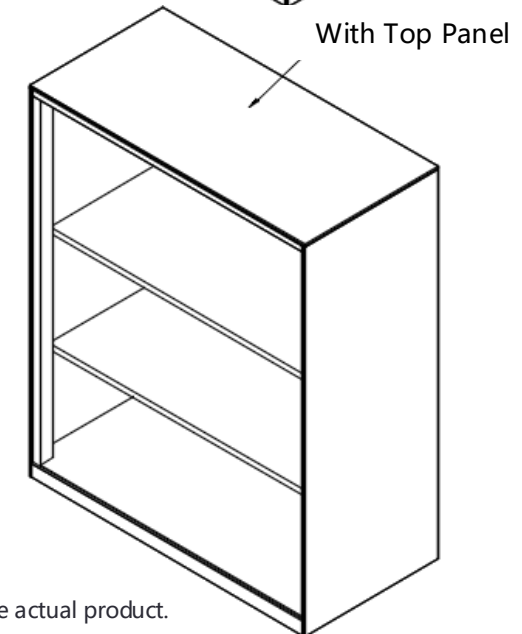
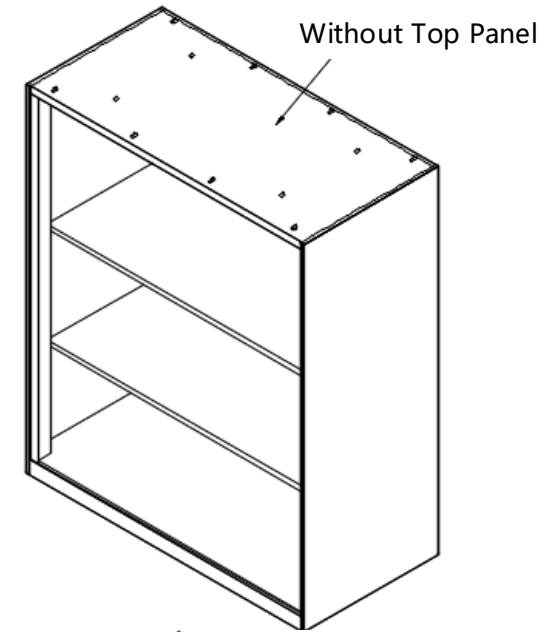


Anyway Steel Cabinet Configuration Guide

4. Open Shelf Cabinets

B. Lower Placed, Independent Type

- **Dimensions:**
 - Without Top Panel: W900×D450×H1089
 - With Top Panel: W900×D450×H1095
- **Top Panel:** Lower placed cabinets without a top panel can be combined with upper placed cabinets or fitted with a 25mm MFC, 30mm solid wood, or 25mm bamboo wood top panel.
- **Shelves:** Two sets of 15mm thick steel shelves (8 hooks total), each set supporting up to 60Kg and adjustable in 20mm increments.
- **Adjustable Feet:** Same as under-desk type.

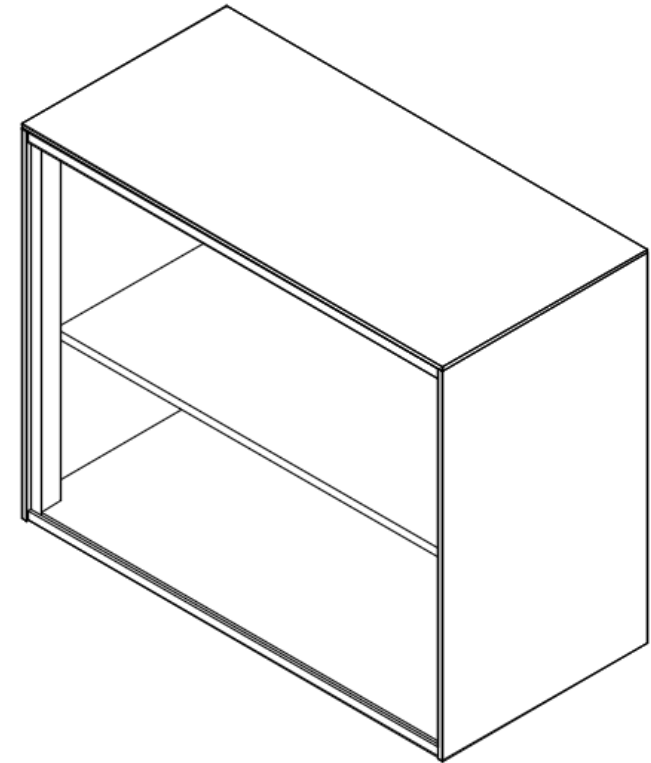


Note: The images, material samples, and color cards are for reference only. Natural materials may vary; please refer to the actual product.

4. Open Shelf Cabinets

C. Upper Placed Type

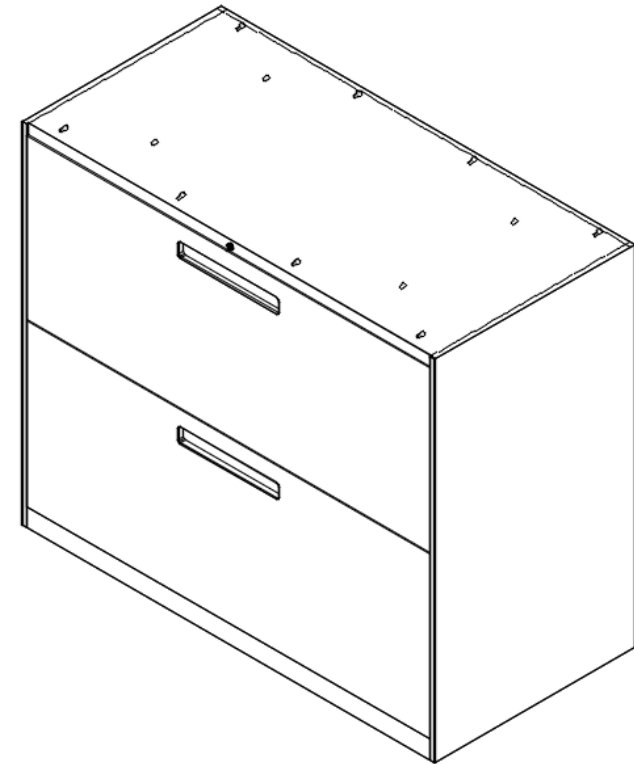
- **Dimensions:** W900×D450×H733mm.
- **Usage:** To be used in conjunction with lower placed cabinets without a top panel.
- **Shelves:** One set of 15mm thick steel shelves (4 hooks), load capacity 60Kg; adjustable in 20mm increments.



5. Ideal Cabinets

A. Under-Desk Type

- **Dimensions:** W900×D450×H725mm.
- **Top Panel:** Without steel top panel; can be used as a side cabinet of equal height to the desk, with options for a 25mm MFC, 30mm solid wood, or 25mm bamboo wood top panel.
- **Connection:** Can connect directly to the desk panel, serving as a fixed support cabinet for workstations or secondary desks.
- **Drawers:** One set of drawers (2 full-extension drawers), each drawer supports up to 60Kg and comes with two longitudinal movement rods.
- **Adjustable Feet:** Four concealed M12*H40 adjustable feet, adjustment range 0-20mm.
- **Handles:** T6 metal inset handle (color customizable).
- **Lock:** Standard interlocking lock (key with NOVAH logo), key handle color standard P4 black; optional mechanical combination lock.
- **Anti-Tip Feature:** Standard 10Kg counterweight block with interlock function.

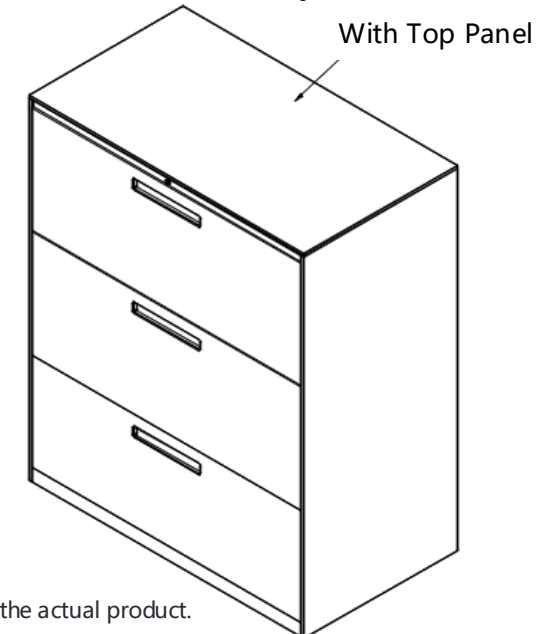
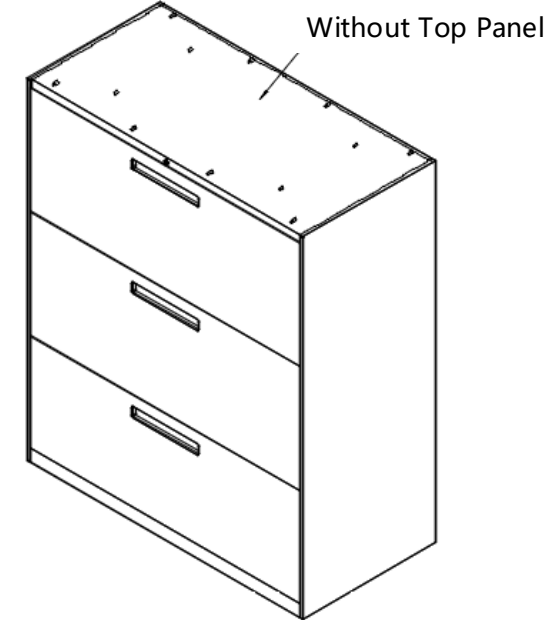


Anyway Steel Cabinet Configuration Guide

5. Ideal Cabinets

B. Lower Placed, Independent Type

- **Dimensions:**
 - Without Top Panel: W900×D450×H1089
 - With Top Panel: W900×D450×H1095
- **Top Panel:** Lower placed cabinets without a top panel can be combined with upper placed cabinets or fitted with a 25mm MFC, 30mm solid wood, or 25mm bamboo wood top panel.
- **Drawers:** One set of drawers (3 full-extension drawers), each drawer supports up to 60Kg and comes with two longitudinal movement rods.
- **Adjustable Feet:** Four concealed M12*H40 adjustable feet, adjustment range 0-20mm.
- **Handles:** T6 metal inset handle (color customizable).
- **Lock:** Standard interlocking lock (key with NOVAH logo), key handle color standard P4 black; optional mechanical combination lock.
- **Anti-Tip Feature:** Standard 10Kg counterweight block with interlock function.

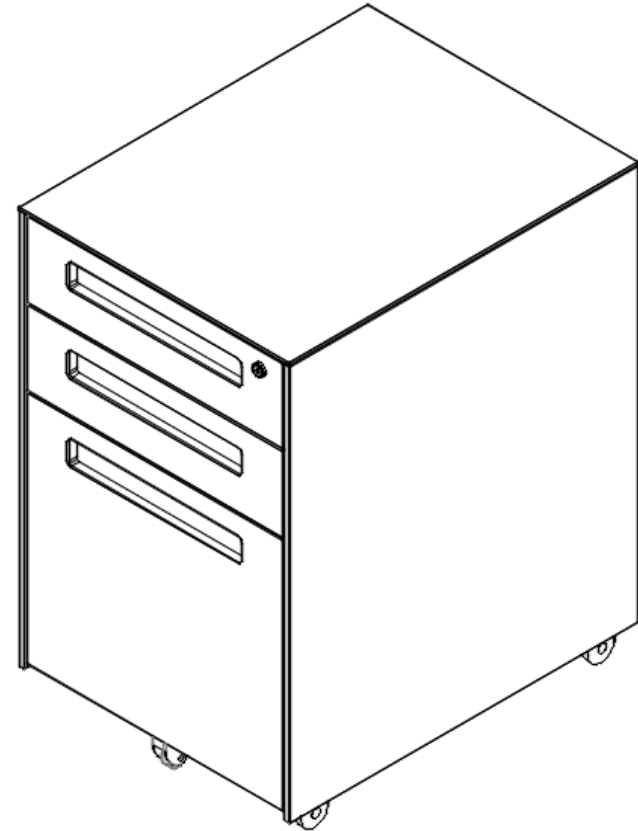


Note: The images, material samples, and color cards are for reference only. Natural materials may vary; please refer to the actual product.

6. Mobile Cabinets

A. Pedestal with Three Drawers

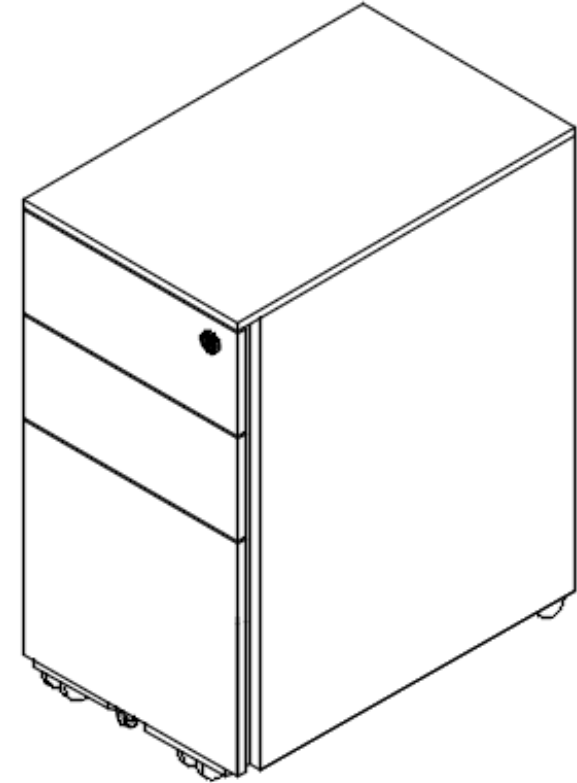
- **Dimensions:** W395×D522×H600mm.
- **Wheels:** Standard fifth wheel design for anti-tip central balance, four casters (front two lockable).
- **Drawers:** Three full-extension drawers on three-section ball-bearing slides.
- **Bottom Drawer:** Standard file hanging rails, one horizontal movement rod.
- **Handles:** T6 metal inset handle (color customizable).
- **Lock:** Standard interlocking lock (with NOVAH logo), key handle color standard P4 black; optional mechanical combination lock.
- **Additional Features:** Pen tray included.



6. Mobile Cabinets

B. Mini Pedestal with Three Drawers

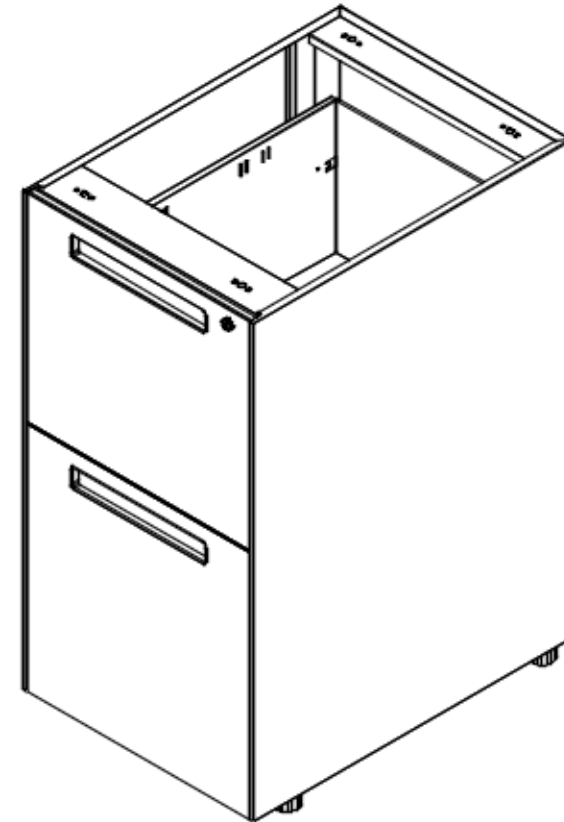
- **Dimensions:** W300×D500×H600mm.
- **Wheels:** Standard fifth wheel design for anti-tip central balance, four casters (front two lockable).
- **Drawers:** Three full-extension drawers on three-section ball-bearing slides.
- Side-mounted Handle, No Interlock, No Support Rod, No Pen Tray
- **Handles:** T6 metal inset handle (color customizable).
- **Lock:** Standard interlocking lock (with NOVAH logo), key handle color standard P4 black; optional mechanical combination lock.
- **Additional Features:** Suitable for use with 1200W desk panels, increasing under-desk storage space; not compatible with hanging folders.



7. Under-Desk Cabinets

A. Two-Drawer Under-Desk Cabinet

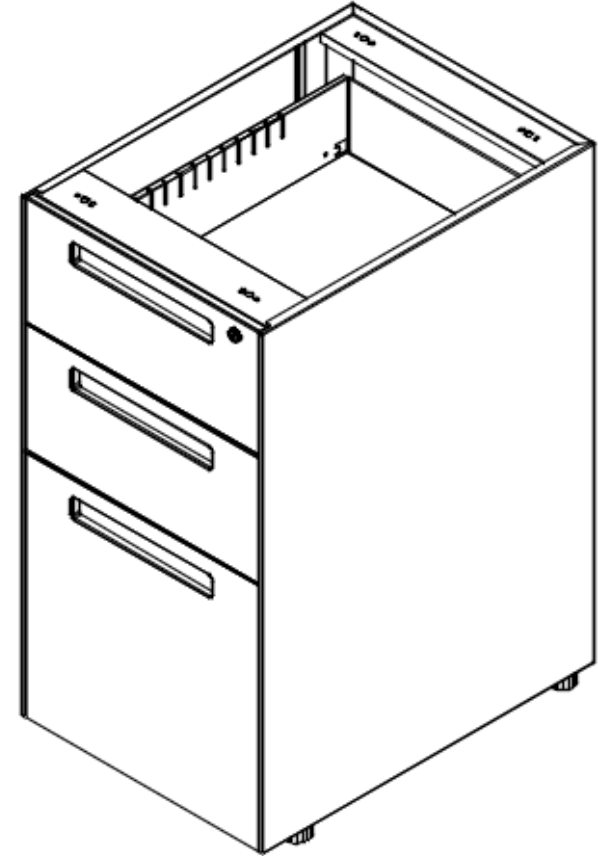
- **Dimensions:** W395×D590×H725mm.
- **Adjustable Feet:** Four 40mm high adjustable feet.
- **Drawers:** Two full-extension drawers on three-section ball-bearing slides.
- **Bottom Drawer:** Standard file hanging rails, one horizontal movement rod.
- **Handles:** T6 metal inset handle (color customizable).
- **Lock:** Standard interlocking lock (with NOVAH logo), key handle color standard P4 black; optional mechanical combination lock.
- **Additional Features:** Pen tray included.



7. Under-Desk Cabinets

B. Three-Drawer Under-Desk Cabinet

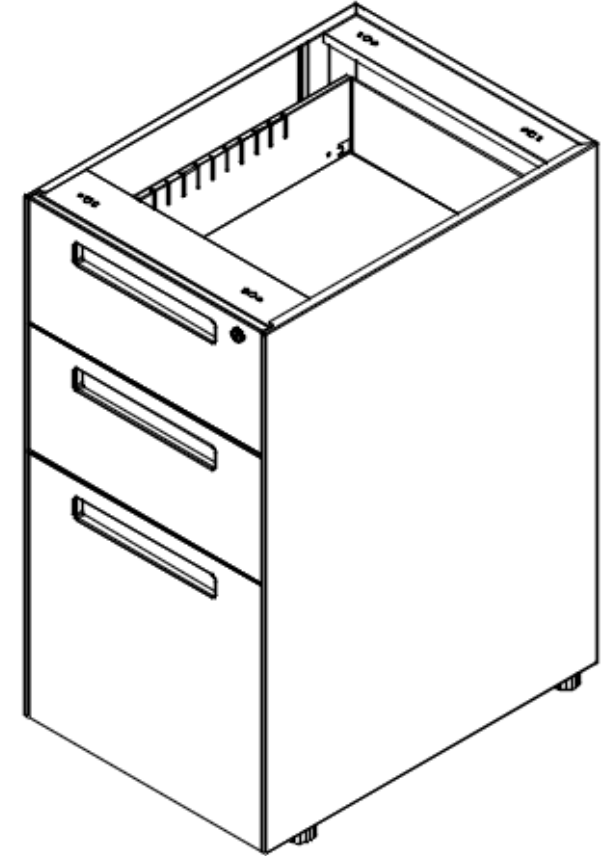
- **Dimensions:** W395×D590×H725mm.
- **Adjustable Feet:** Same as two-drawer model.
- **Drawers:** Three full-extension drawers on three-section ball-bearing slides.
- **Bottom Drawer:** Standard file hanging rails, one horizontal movement rod.
- **First Drawer:** Includes a stationery box.
- **Handles:** T6 metal inset handle (color customizable).
- **Lock:** Standard interlocking lock (with NOVAH logo), key handle color standard P4 black; optional mechanical combination lock.
- **Additional Features:** Pen tray included.



7. Under-Desk Cabinets

C. Mini Three-Drawer Under-Desk Cabinet

- **Dimensions:** W300×D500×H725mm.
- **Adjustable Feet:** Same as two-drawer model.
- **Drawers:** Three full-extension drawers on three-section ball-bearing slides.
- Side-mounted Handle, No Interlock, No Support Rod, No Pen Tray
- **First Drawer:** Includes a stationery box.
- **Handles:** T6 metal inset handle (color customizable).
- **Lock:** Standard interlocking lock (with NOVAH logo), key handle color standard P4 black; optional mechanical combination lock.
- **Additional Features:** Suitable for use with 1200W desk panels, increasing under-desk storage space; not compatible with hanging folders.

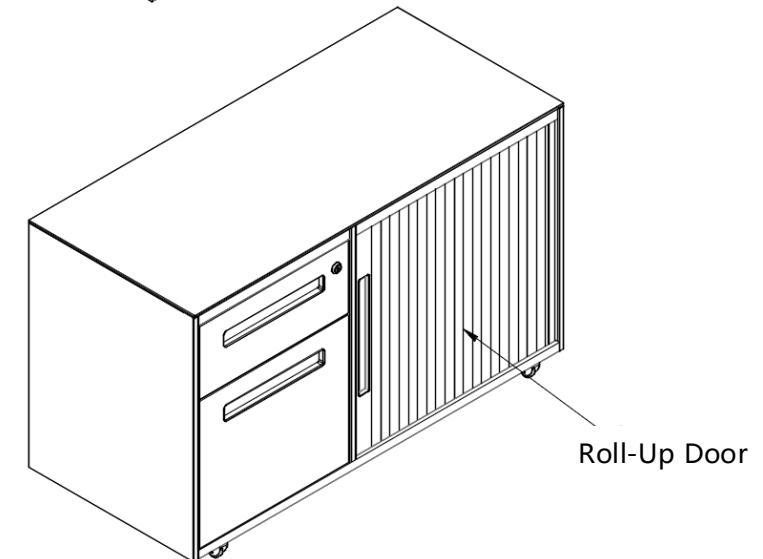
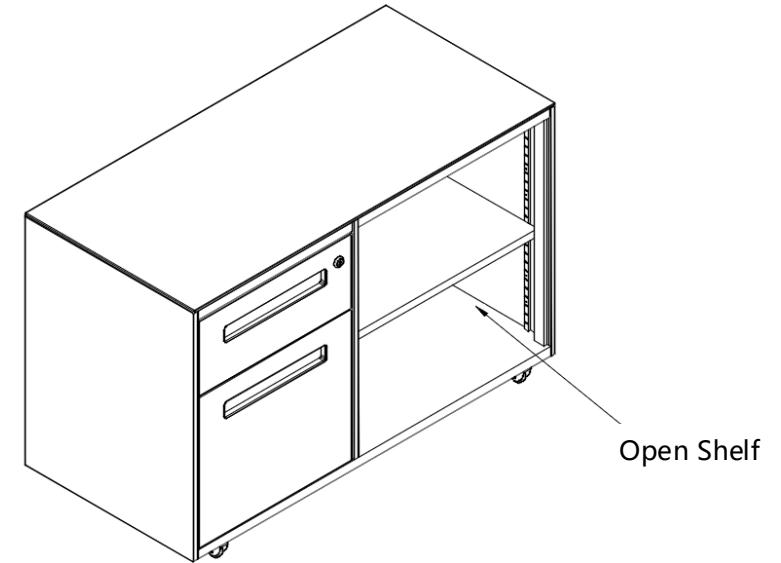


Anyway Steel Cabinet Configuration Guide

8. Caddy Cabinets

A. Two-Drawer Caddy

- **Dimensions:** W900×D450×H550.
- **Shelves:** One 15mm thick steel shelf (8 hooks), load capacity 60Kg; adjustable in 20mm increments.
- **Drawers:** Three-section ball-bearing slides.
- **Optional Accessories:** Magnetic cushion pad available.
- **Wheels:** Four casters (two lockable on the drawer side).
- **Handles:** T6 metal inset single handle (color customizable).
- **Lock:** Standard interlocking lock, key handle color standard P4 black.
- **Optional Lock:** Mechanical combination lock (roll-up door configurations have no separate lock; both drawer and roll-up door are controlled by a single lock).

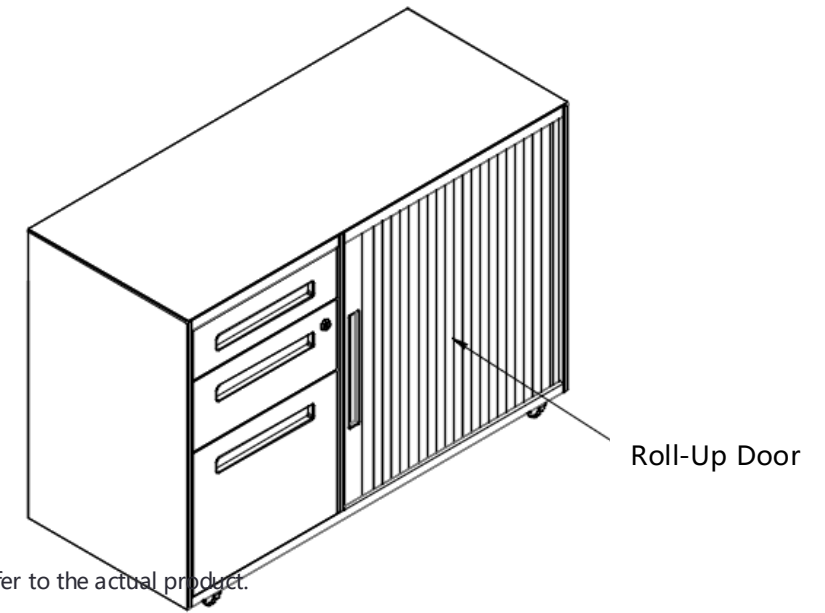
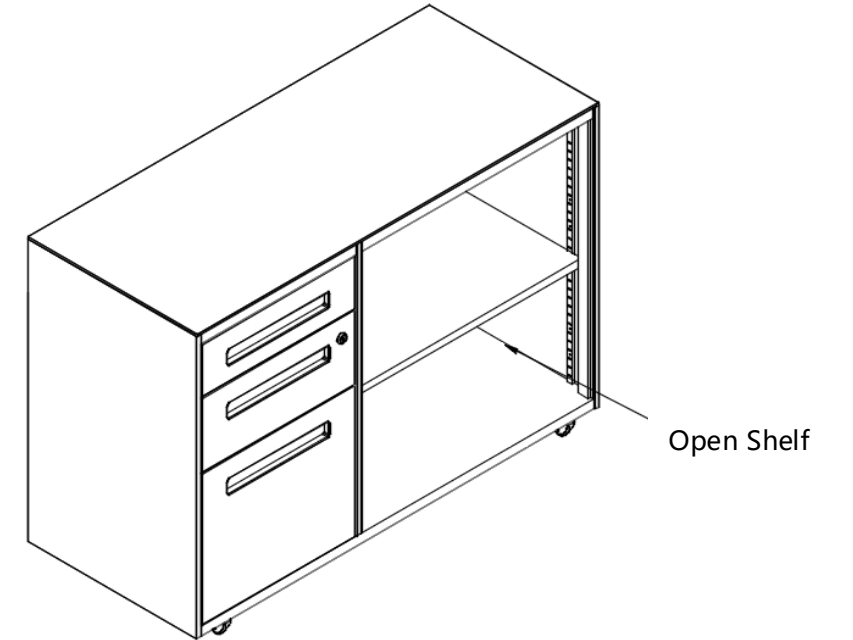


Anyway Steel Cabinet Configuration Guide

8. Caddy Cabinets

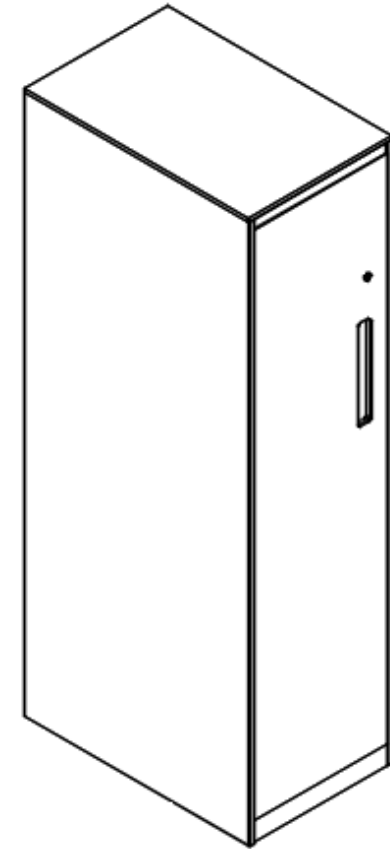
B. Three-Drawer Caddy

- **Dimensions:** W900×D450×H632mm.
- **Shelves:** One 15mm thick steel shelf (8 hooks), load capacity 60Kg; adjustable in 20mm increments.
- **Drawers:** Three-section ball-bearing slides.
- **Optional Accessories:** Not recommended for magnetic cushion pad.
- **Wheels:** Four casters (two lockable on the drawer side).
- **Handles:** T6 metal inset single handle (color customizable).
- **Lock:** Standard interlocking lock, key handle color standard P4 black.
- **Optional Lock:** Mechanical combination lock (roll-up door configurations have no separate lock; both drawer and roll-up door are controlled by a single lock).



9. Side Cabinets

- **Dimensions:**
W300×D600×H1175; W300×D600×H1400; W300×D600×H1625;
W400×D600×H1175; W400×D600×H1400; W400×D600×H1625;
- Each door includes a coat hanger rod (stainless steel tube) and a mirror (W106H145).
- Standard desktop connection plates and reinforcements are provided, with one side featuring an installation arm for the desktop.
- Equipped with one set of 15mm thick steel fixed shelves (4 hooks), load capacity 60Kg.
- Four concealed M12*H40 adjustable feet, adjustment range 0-20mm.
- T6 metal inset single handle (color customizable).
- Standard tongue lock (with NOVAH logo), key handle color standard P4 black; optional mechanical combination lock.
- Available as left or right single-door cabinets, illustrated configuration is left-oriented.



10. Wardrobe

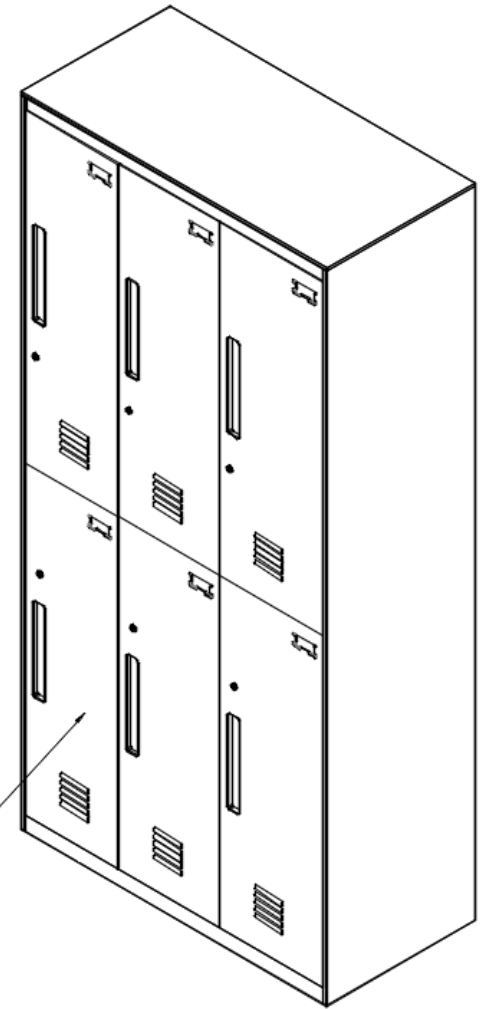
- **Dimensions:** W900×D512×H1822mm (3-door and 6-door)
- Each door includes a coat hanger rod (stainless steel tube) and a mirror (W106H145).
- Standard desktop connection plates and reinforcements are provided.
- Equipped with one set of 15mm thick steel fixed shelves (4 hooks), load capacity 60Kg.
- Four concealed M12*H40 adjustable feet, adjustment range 0-20mm.
- T6 metal inset single handle (color customizable).
- Standard tongue lock (with NOVAH logo), key handle color standard P4 black; optional mechanical combination lock.
- The illustrated door opening direction is the standard configuration.



3-door

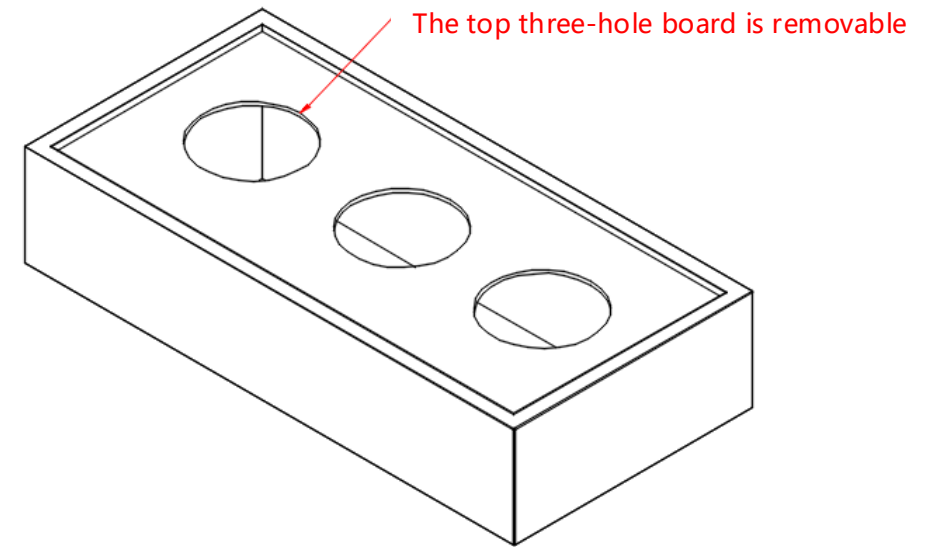


6-door



11. Flower Bed Cabinets

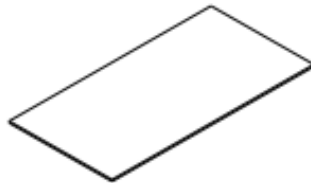
- **Dimensions:** W900×D450×H150; W900×D450×H250.
- Equipped with one 15mm thick steel shelf with three holes, suitable for use with standard lower placed cabinets (W900*D450) and connecting to lower placed cabinets without a top panel.
- The top three-hole board is removable.



Optional Accessories

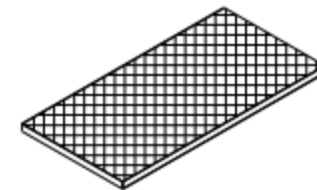
A. Adjustable Shelves

- **Dimensions:**
 - File Cabinet Adjustable Shelf: W876×D356×H15
 - Roll-Up Door Cabinet Adjustable Shelf: W760×D356×H15
- **Usage:** Applicable to opening door cabinets, sliding door cabinets, and open shelf cabinets; shelf color matches the cabinet body.
- **Load Capacity:** Each shelf supports up to 60Kg, with reinforced middle ribs. Standard configuration includes four



B. Magnetic Cushion Pad

- **Dimensions:** W900 × D450 × H30
- **Cover:** Comes with an outer zippered fabric cover containing 7 strong magnets.
- **Fabric Options:**
 - NOVAH Exclusive Fabric CM5/Sunday
 - Medley
 - Atlantic
- **Note:** Not recommended for use with the AnyWay-Caddy cabinet with three drawers.



Anyway Steel Cabinet Configuration Guide

Optional Accessories

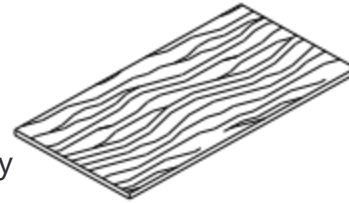
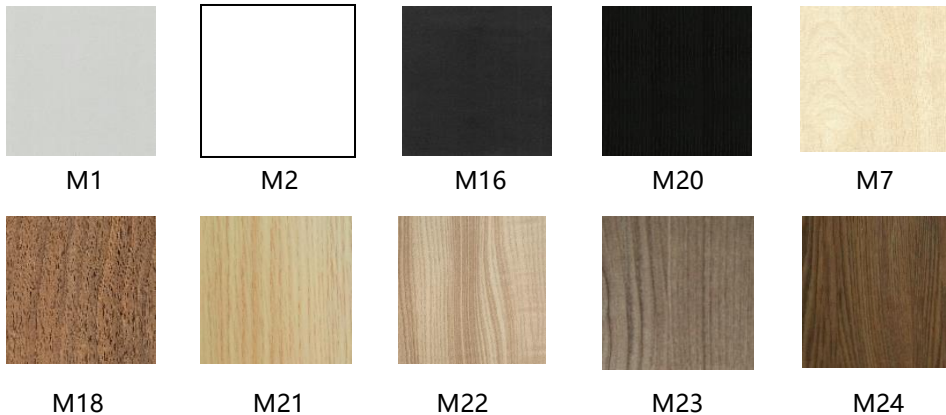
C. MFC Top Panel

- Dimensions:**

W901 × D451 × H16; W901 × D451 × H25

- Usage:** For under-desk AnyWay steel cabinets, only the 25mm MFC top panel is used.

- Available Colors**



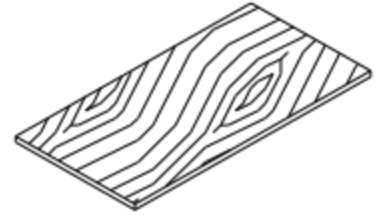
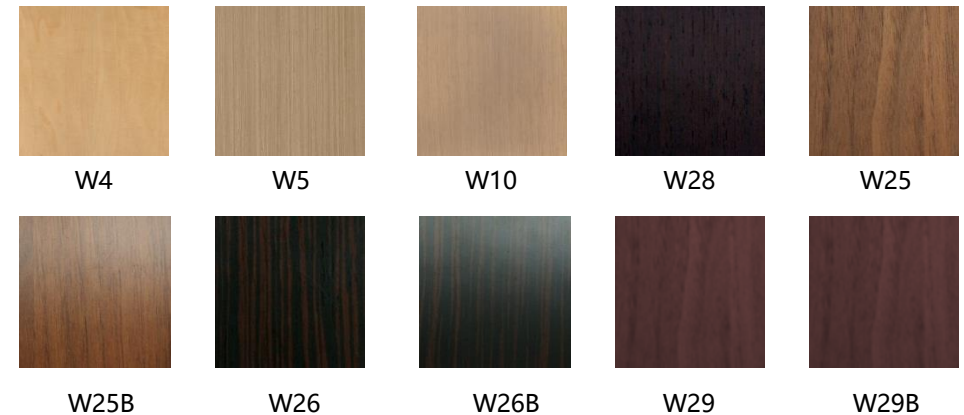
D. Solid Wood Top Panel

- Dimensions:**

W901 × D451 × H18; W901 × D451 × H30

- Usage:** For under-desk AnyWay steel cabinets, only the 30mm solid wood top panel is used.

- Available Colors**

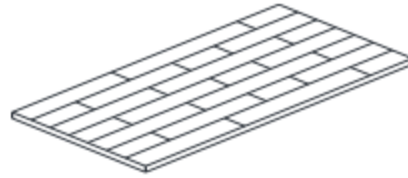


Anyway Steel Cabinet Configuration Guide

Optional Accessories

E. Bamboo Wood Top Panel

- **Dimensions:**
W901 × D451 × H16; W901 × D451 × H25
- **Usage:** For under-desk AnyWay steel cabinets, only the 25mm bamboo wood top panel is used.
- **Finish:** Only available with wood wax oil finish.



F. Steel Top Panel

- **Dimensions:**
W901 × D451 × H6
- **Usage:** Designed for AnyWay lower placed cabinets.
- **Color:** Matches the standard steel panel color configuration.

