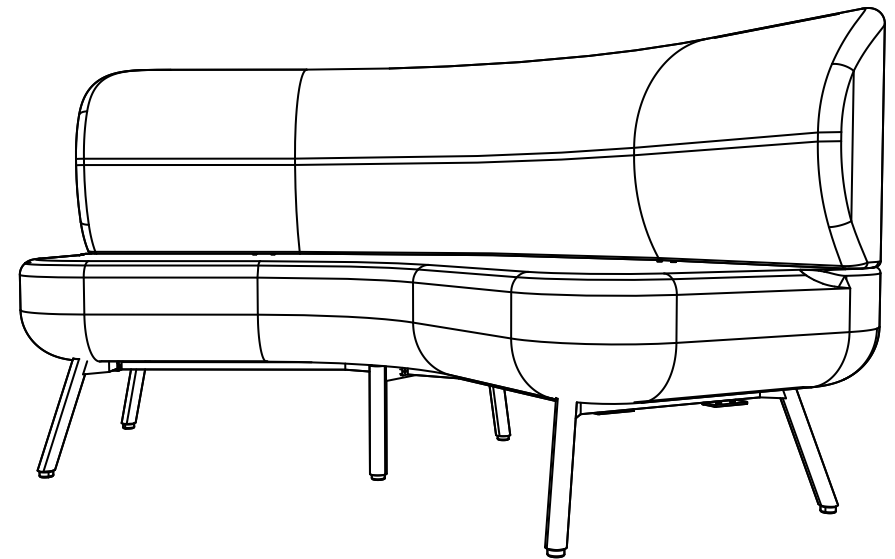


Bloom

120° Sofa

NOVAH[®]



NOVAH System Technology Co.,Ltd.
Tel: 400-115-1688
Web: www.novah.cc
Mail: int@novah.cc

NOVAH[®]

Product Parts List

①



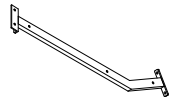
18x(ST4*16)

②



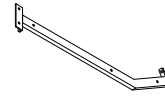
24x(M6*12)

③



2X(120° beam long)

④



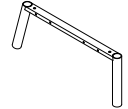
2X(120° beam short)

⑤



2X(Sofa side legs)

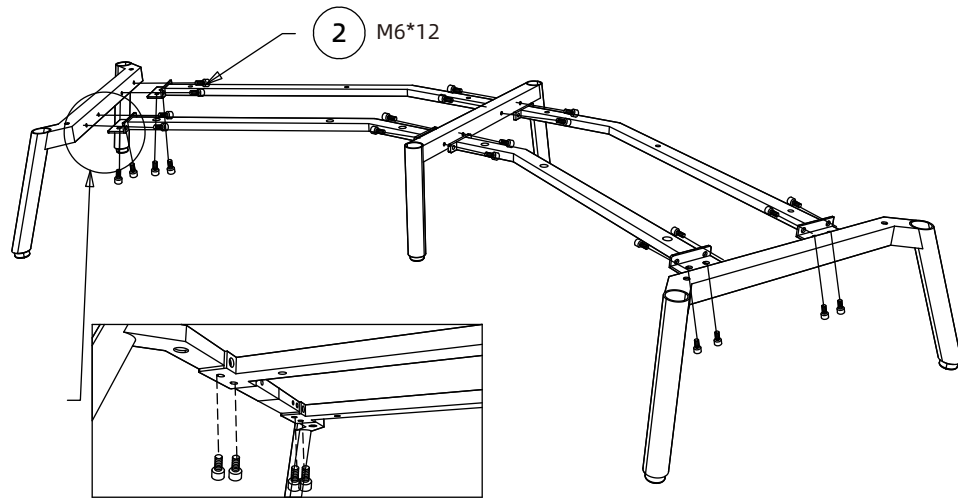
⑥



1X(Middle sofa legs)

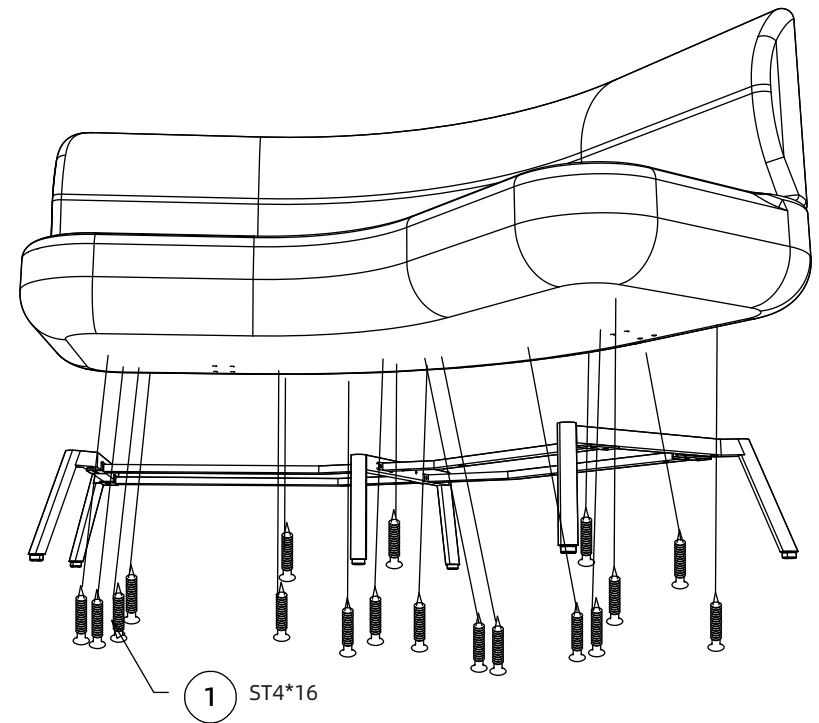
Step 1

Install the support legs;
Install the left and right support legs on the crossbeam



Step 2

Connect the sofa to the support legs;
Install the underframe onto the base panel with self-tapping screws



Step 3

The installation is complete

Dimensions of 120° type:
L*W*H: 1800*935*865mm
(Side depth: 700mm)
Seat height: 427mm

