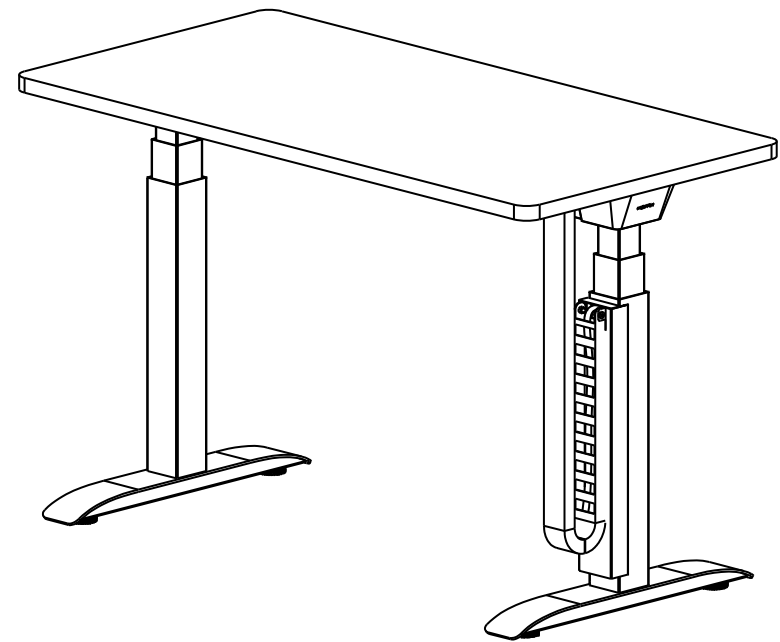


Dyna2

Magnetic wireway

NOVAH[®]



NOVAH System Technology Co.,Ltd.
Tel: 400-115-1688
Web: www.novah.cc
Mail: int@novah.cc

NOVAH[®]

Product Parts List

A



Cross countersunk
self-tapping screw 4*16 (Galvanized)

B



Magnet

C



Cross recessed pan
head screw 6*16 (Galvanized)

D



Hex nut M6 (Galvanized)

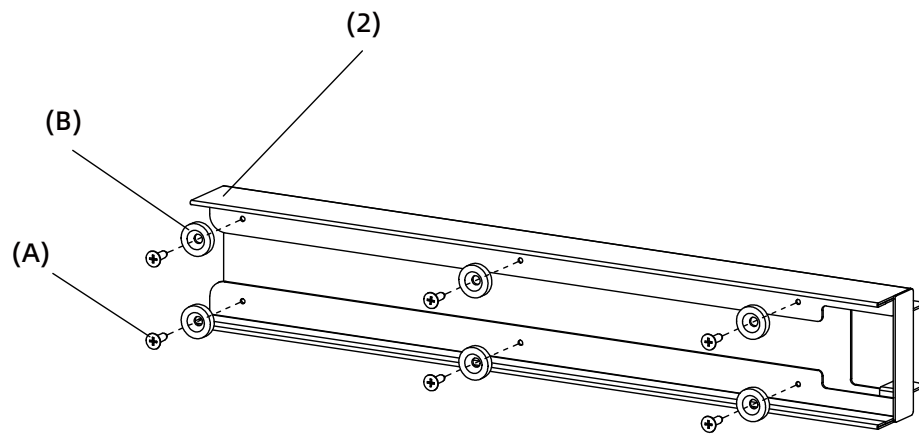
E



Cross big flat head
self-tapping screws 5*20 (Galvanized)

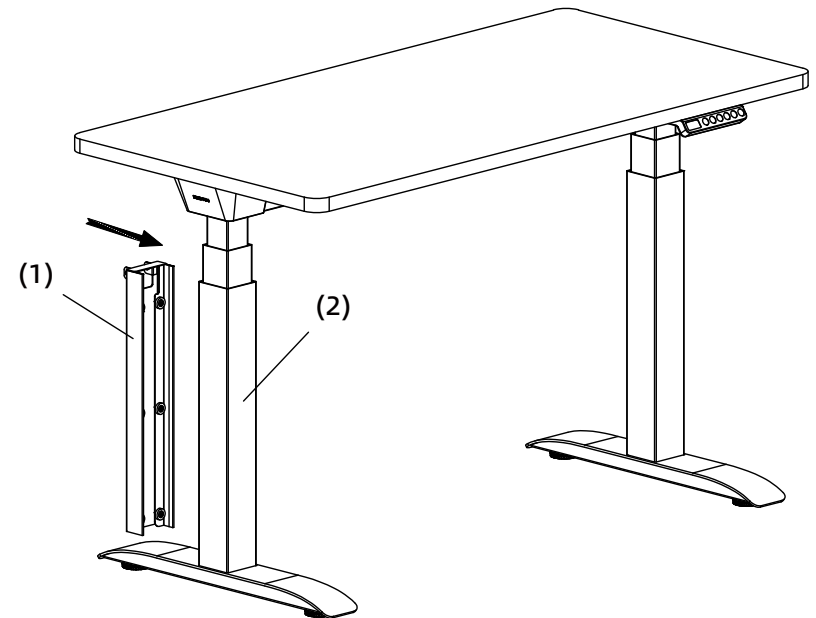
Step 1

Align the magnet (B) with the hole of magnetic wireway(2) of square column, tighten it with self-tapping screws (A)



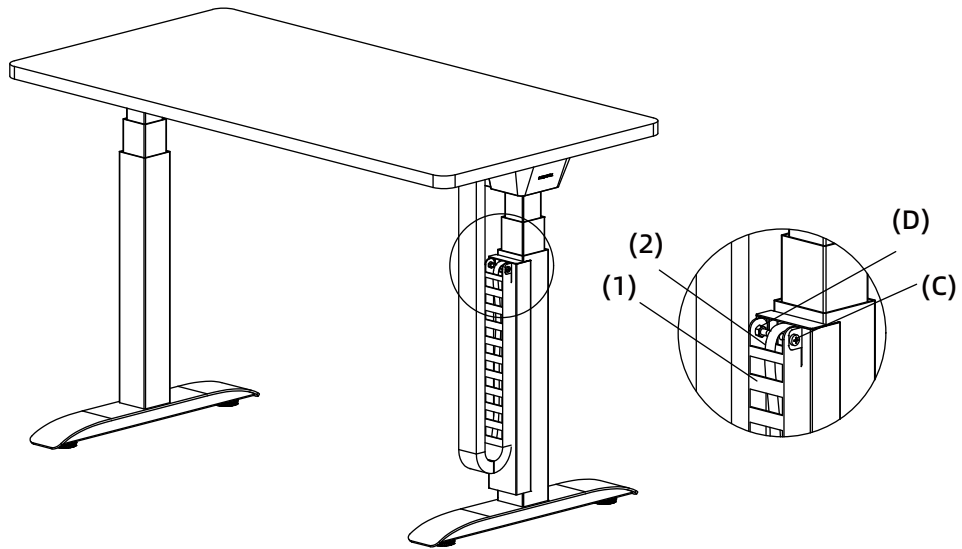
Step 2

Fix the magnetic wireway (1) on the back of the column (2) of the height-adjustable table (Same as the cylinder wireway)



Step 3

Thread power cables (2) into the cable chain (1), adjust its position, and then secure cable chain to the wireway using bolts and nuts



Step 4

Secure the other end (1) of cable chain to the bottom of the table board with self-tapping screws (E)

