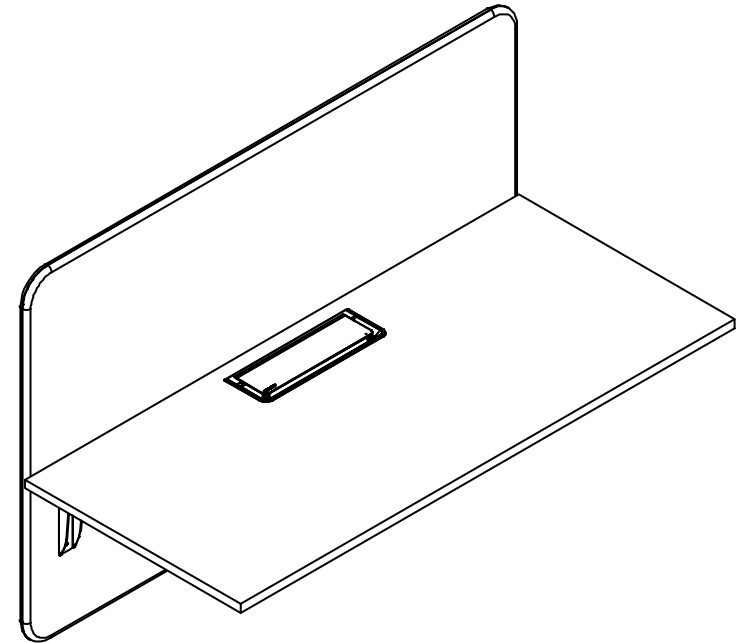


Dyna_Pro

Hanging Screen Panel

NOVAH[®]



NOVAH System Technology Co.,Ltd.
Tel: 400-115-1688
Web: www.novah.cc
Mail: int@novah.cc

NOVAH[®]

Product Parts List



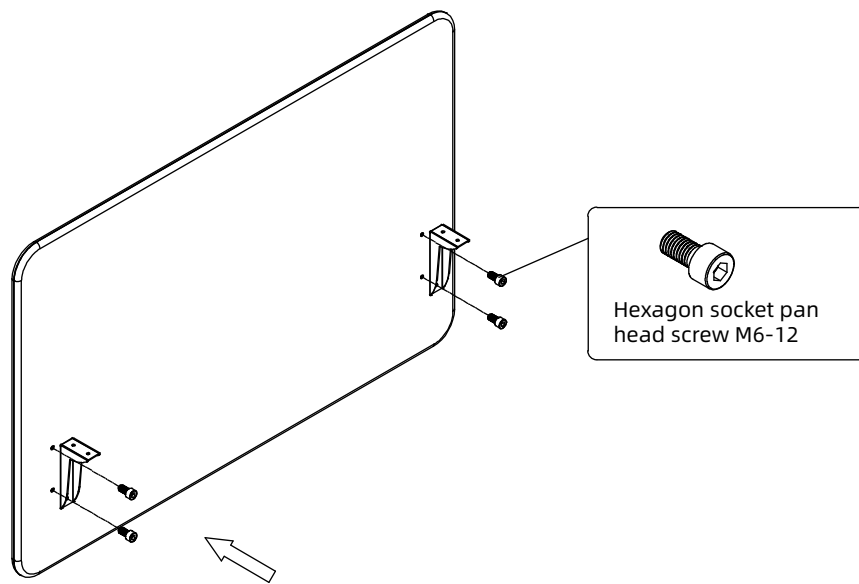
(Hexagon socket cylindrical
head screw M6-12)



(Cross recessed pan
head tapping screw ST5.0-20)

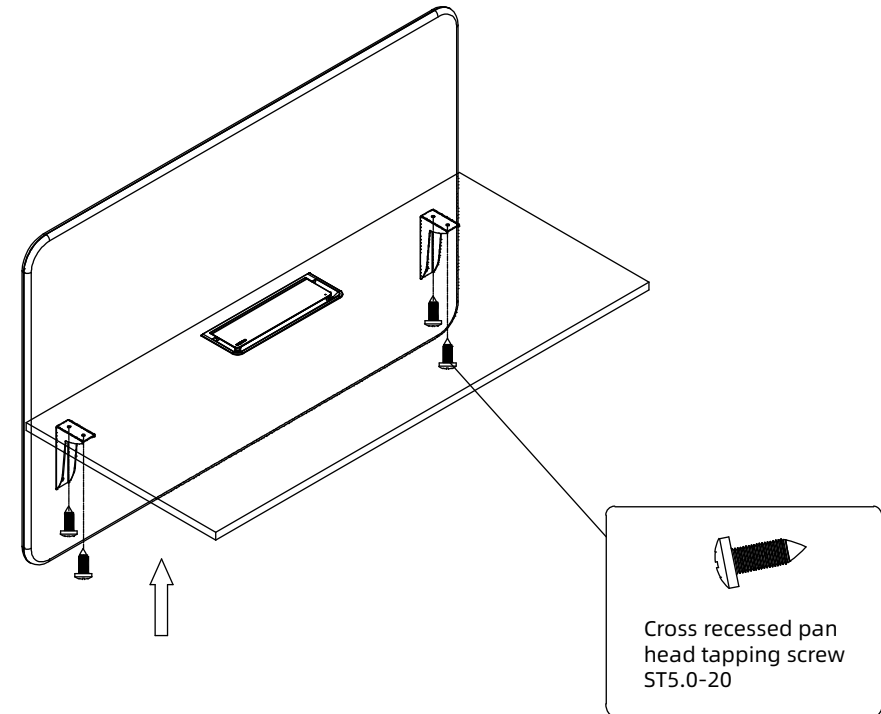
Step 1

1. Place the bracket arm of the hanging screen panel in the direction indicated here
2. Install the bracket arm for the hanging screen panel
(Hexagon socket pan head screw M6-12)



Step 2

1. Place the hanging screen panel under the desktop, snug against the edge of the desktop
2. Install the hanging screen panel
(Cross recessed pan head tapping screw ST5.0-20)



Step 3

1. The installation is complete

