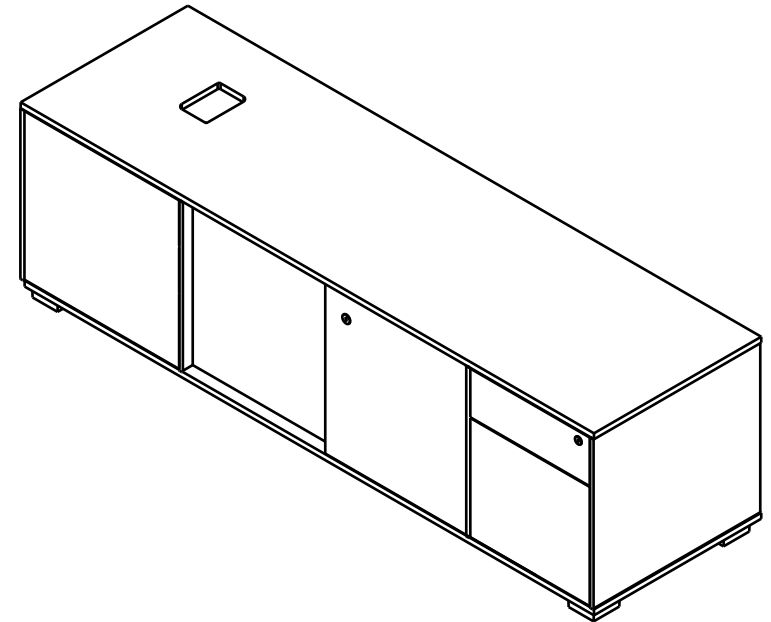


Dyna_Pro

Independent side cabinet

NOVAH[®]



NOVAH System Technology Co.,Ltd.
Tel: 400-115-1688
Web: www.novah.cc
Mail: int@novah.cc

NOVAH[®]

Product Parts List



(Three-in-one
eccentric lever L=40)



(Wooden dowel)



(Three-in-one
eccentric wheel $\phi 15$)



(Countersunk self-tapping
screw M4*16)



(Lower guide element)



(Base cover)



(Three-in-one cover B)



(Shelf support pin)

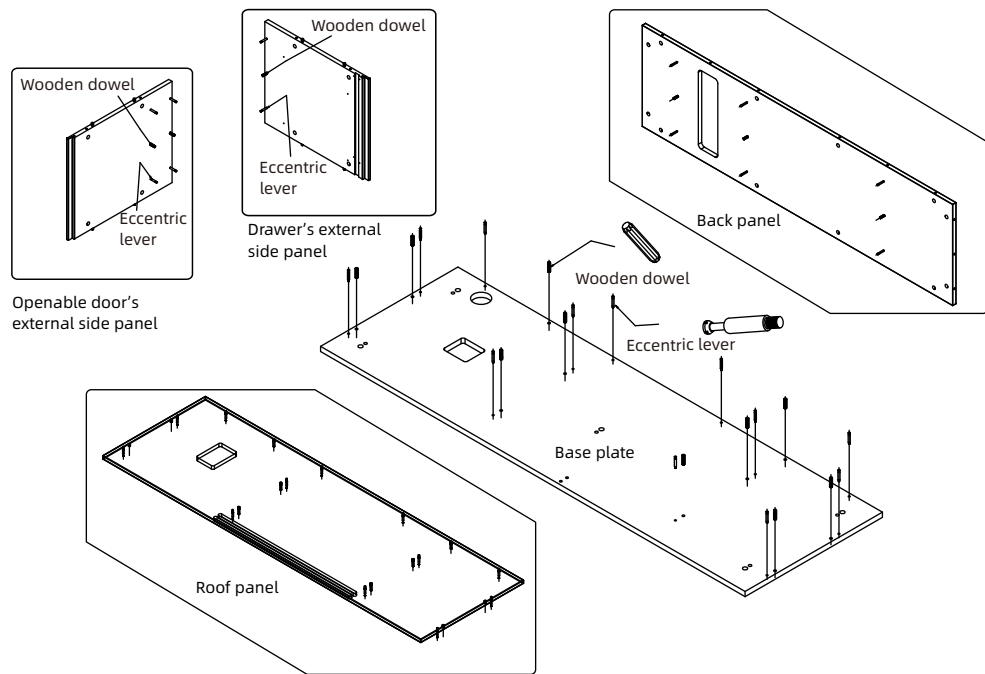


(Rubber cover of
shelf support pin)

Step 1

1.Base plate: Insert wooden dowel into wooden dowel hole; screw the eccentric lever into the pre-buried hole with screwdriver and other tools;

2.Install the dowel of roof panel, back panel and external side panel and eccentric lever into corresponding holes.

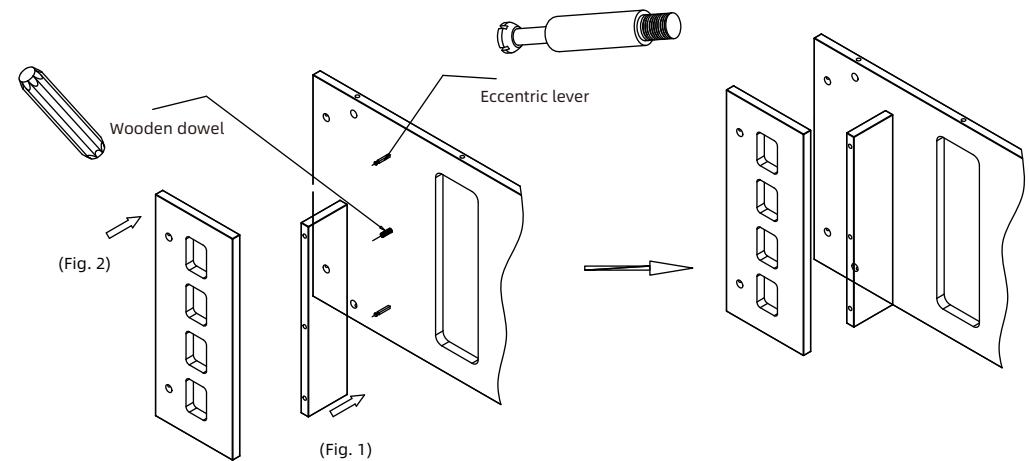


Step 2

1.Install the wiring terminal of side cabinet;

Step1:Mount the short wiring terminal onto the back panel with dowel and eccentric lever and tighten and fix it with eccentric wheel(as shown in Fig.1);

Step2:Install the tall upper wiring terminal onto the upper wiring terminal through wooden dowel and eccentric lever, screw down and fix with eccentric wheel (see Fig. 2).

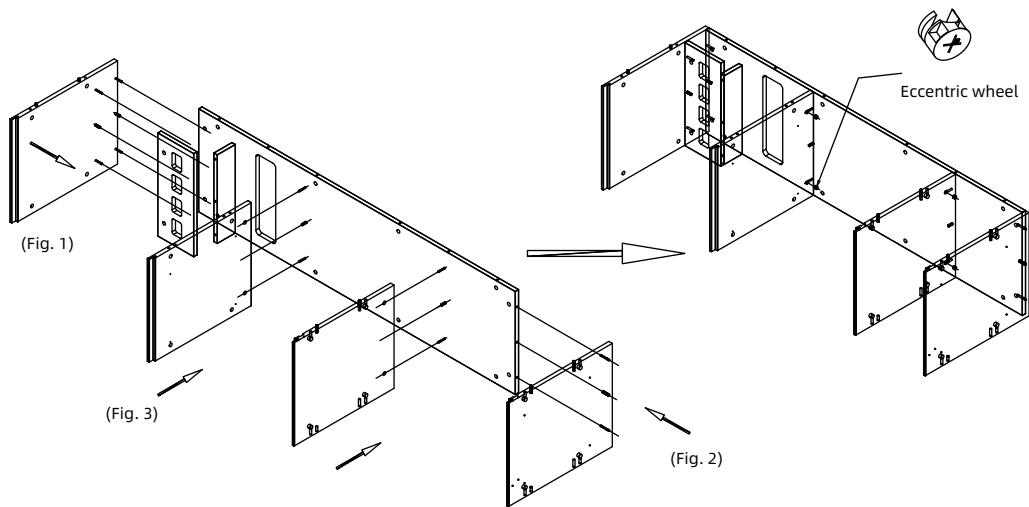


Step 3

1. Mount the guide rail of roof panel and sliding door of the side cabinet;
Step1: Install the external side panel onto the tall wiring terminal and the back panel through wooden dowel and eccentric lever, screw down and fix with eccentric wheel (see Fig. 1);

Step2: Install the external side panel onto the back panel through wooden dowel and eccentric lever, screw down and fix with eccentric wheel (see Fig. 2);

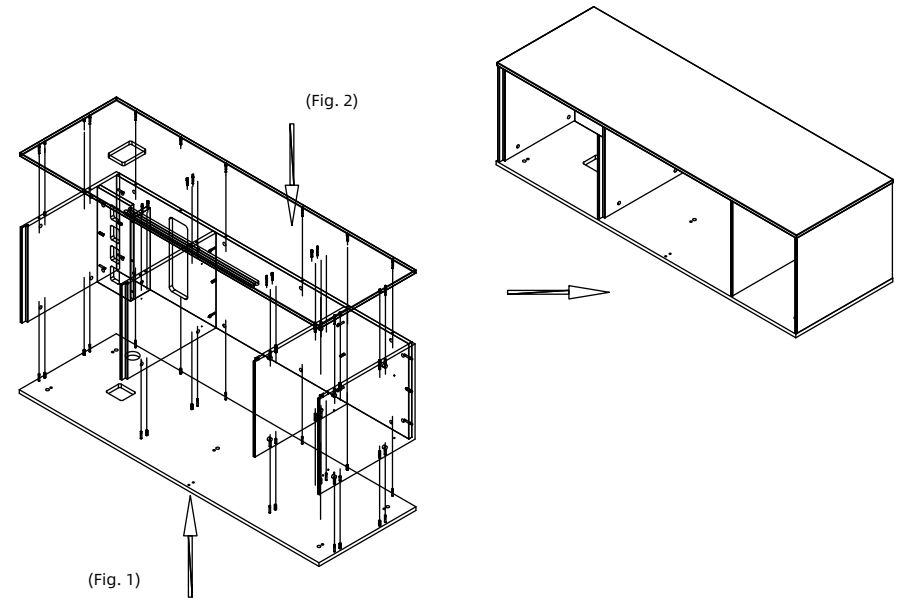
Step3: Install the middle riser onto the back panel through wooden dowel and eccentric lever, screw down and fix with eccentric wheel (see Fig. 3)



Step 4

1. Install side cabinet's roof panel and base plate;
Step1: Install the roof panel onto the external side panel, the middle riser and the back panel through wooden dowel and eccentric lever, screw down and fix with eccentric wheel (see Fig. 1);

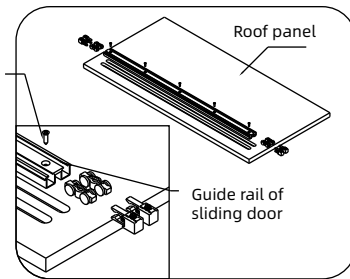
Step2: Install the base plate onto the external side panel, the middle riser and the back panel through wooden dowel and eccentric lever, screw down and fix with eccentric wheel (see Fig. 2)



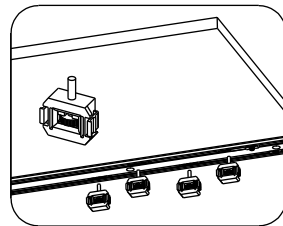
Step 5

1. Install the guide rail and lower guide element of the sliding door
(Refer to the enlarged partial view for details below)

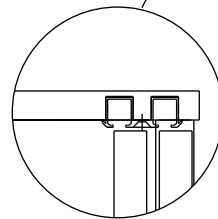
Countersunk self-tapping screw M4*16



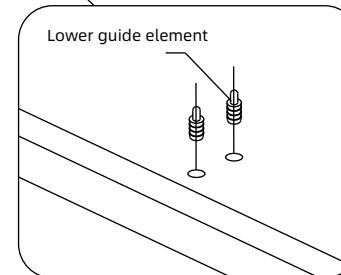
Install the guide rail



Install the top guide frame of sliding door - adjusting seat

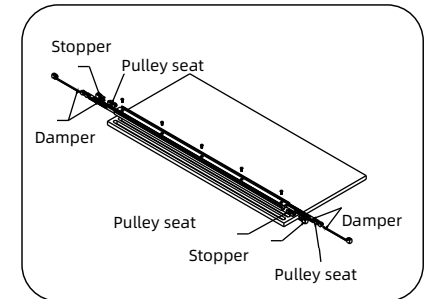


Side view for installation of guide rail of sliding door



Install the lower guide element

Install the accessories of guide rail of the file cabinet with sliding door (with damper)



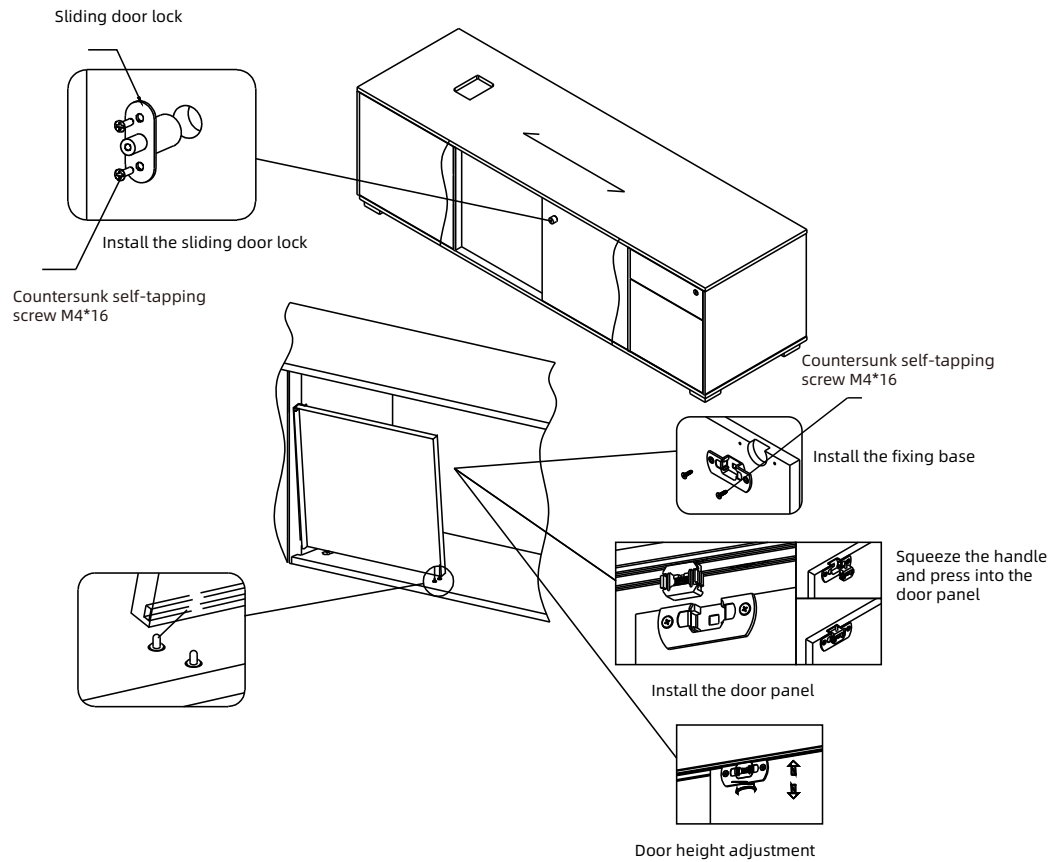
Installation instructions:
While installing the guide rail, firstly install the pulley seat, stopper and damper in the guide rail in order, then press the guide rail into the roof panel slot. Finally, fix them with self-tapping screw

Installation instructions:

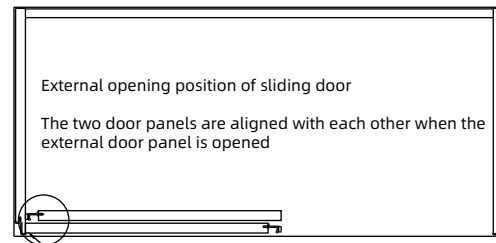
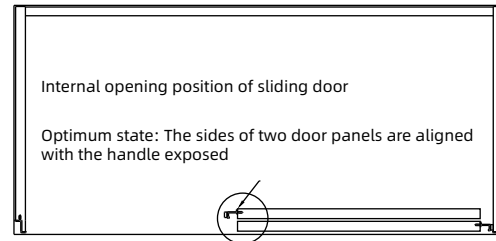
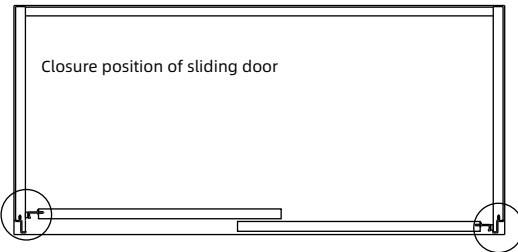
While installing the sliding door, first, at the bottom of the door side, use the adjusting sheet to elevate to a certain height and then install the top adjusting seat. At the other side, elevate it to the same height and then install another adjusting seat on the top. Install the other door with same method

Step 6

1. Install the sliding door of side cabinet, adjust the size of door gap and the push-and-pull smoothness
(Refer to the enlarged partial view for details below)

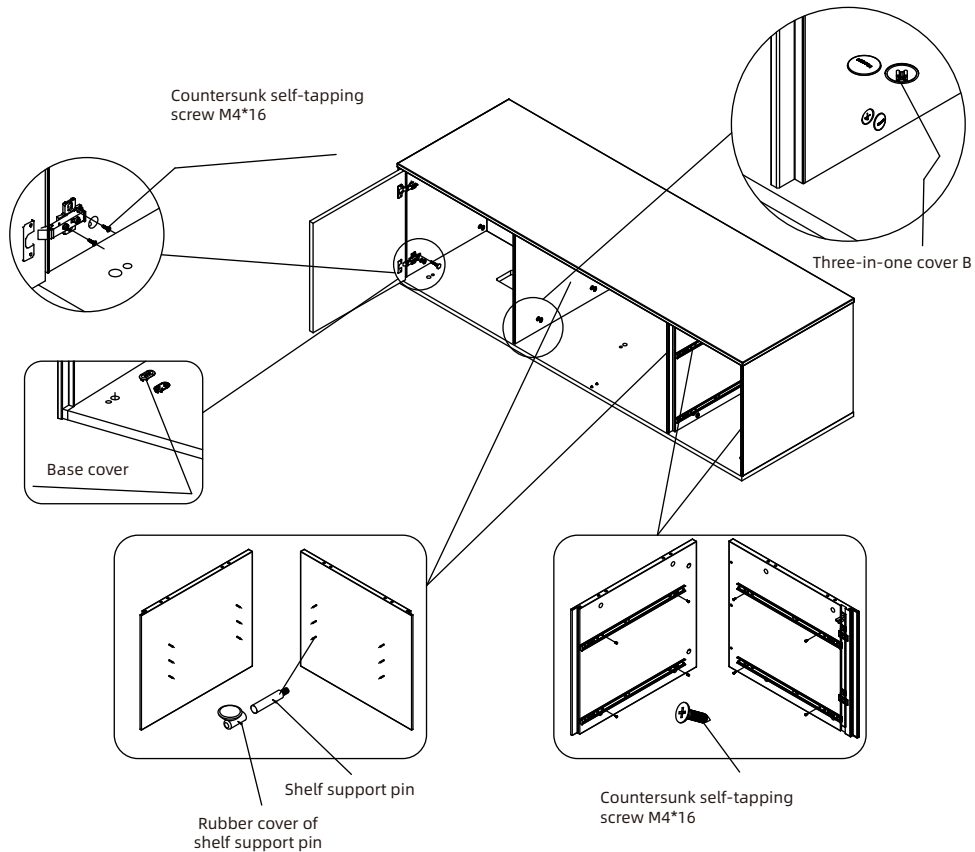


Reference for adjusting the position of the stopper of file cabinet with sliding door of side cabinet



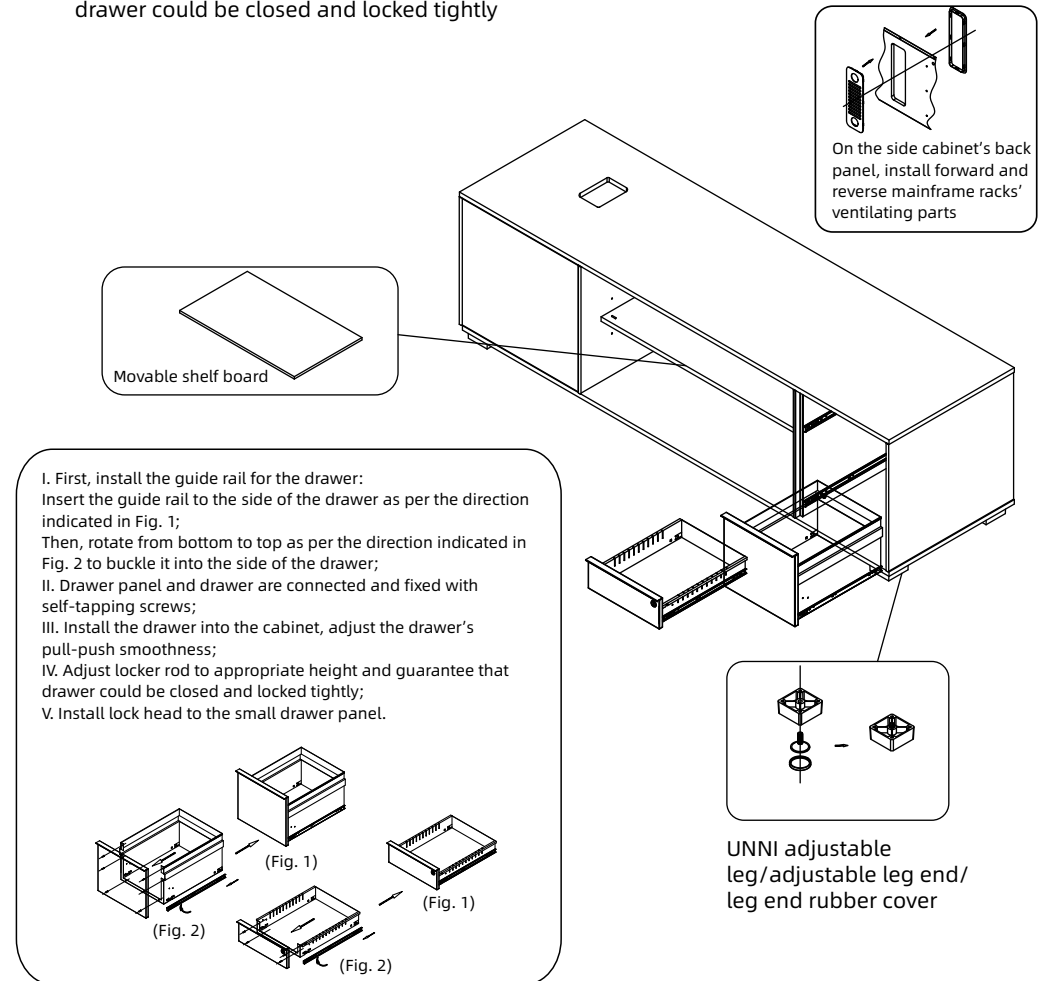
Step 7

1. Install side cabinet's single door, adjust door gap; install movable shelf board's shelf support pin and rubber cover; install drawer's guide rail on the side panel and the middle riser, and link rod lock's rod (adopting lock rod's fixing sheet and fitting)



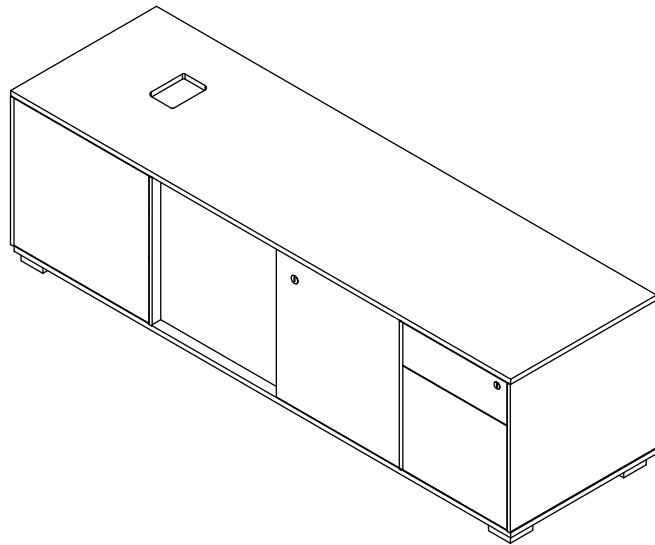
Step 8

- I. Install the movable shelf board and drawer of side cabinet
 - I. The drawer panel and drawer are connected and fixed with self-tapping screws;
 - II. Install the lock head;
 - III. Install the drawer into the cabinet and adjust the push-and-pull smoothness of drawer;
 - IV. Adjust locker rod to appropriate height and guarantee that drawer could be closed and locked tightly



Step 9

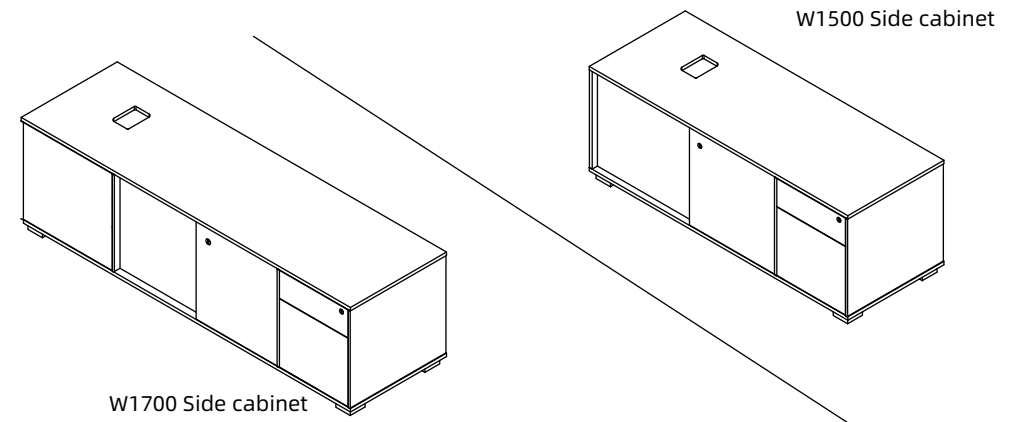
1.Side cabinet installed



Installation instructions for Dyna_Pro Manager's desk side cabinet (length W1700mm): All the above installation steps are based on the side cabinet (length W1700mm)!

Step 10

1.Side cabinet installed



Description of the difference between the installation of the W1500mm side cabinet and W1700mm side cabinet of Dyna_Pro Manager's desk:

- 1.W1700mm side cabinet has one more single door than the W1500 side cabinet;
- 2.The inside of sliding door of W1500 side cabinet is divided into two zones: Connecting the lifting table leg and cube cabinet; the left middle riser is retracted into the cabinet and won't be exposed;
3. Other installation steps and methods are exactly the same!