

Frasso

Middle-back Chair
(One-stage Mechanism)

NOVAH[®]



NOVAH System Technology Co.,Ltd.
Tel: 400-115-1688
Web: www.novah.cc
Mail: int@novah.cc

NOVAH[®]

Product Parts List

A



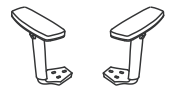
1x

B



1x

C



1x

D



1x

E



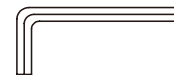
1x

F



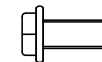
5x

G



1x(M6)

H



3x(M8*20)

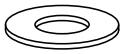
J



3x(φ8)

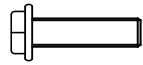
Step 1

K



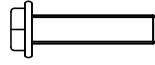
3x($\phi 8$)

L



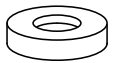
2x(M6*30)

M

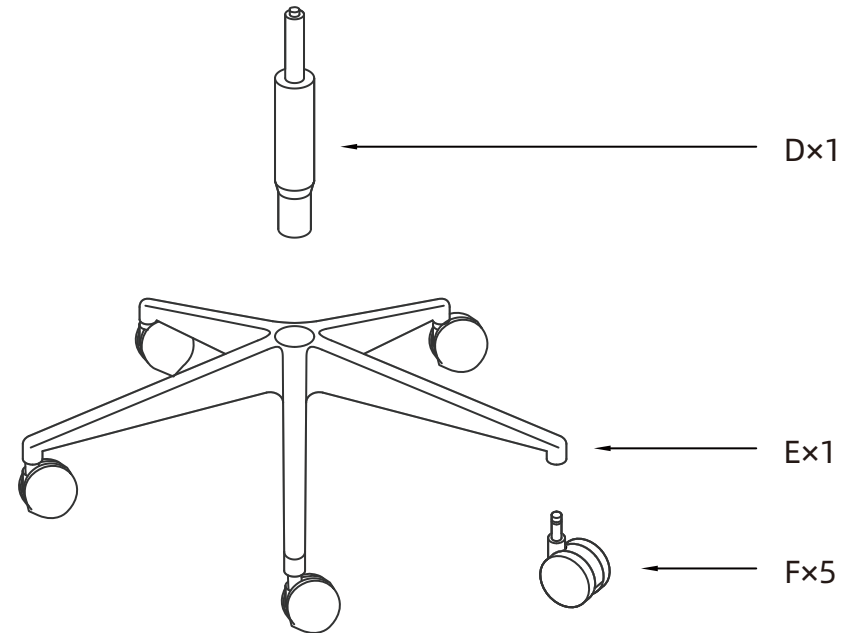


4x(M6*35)

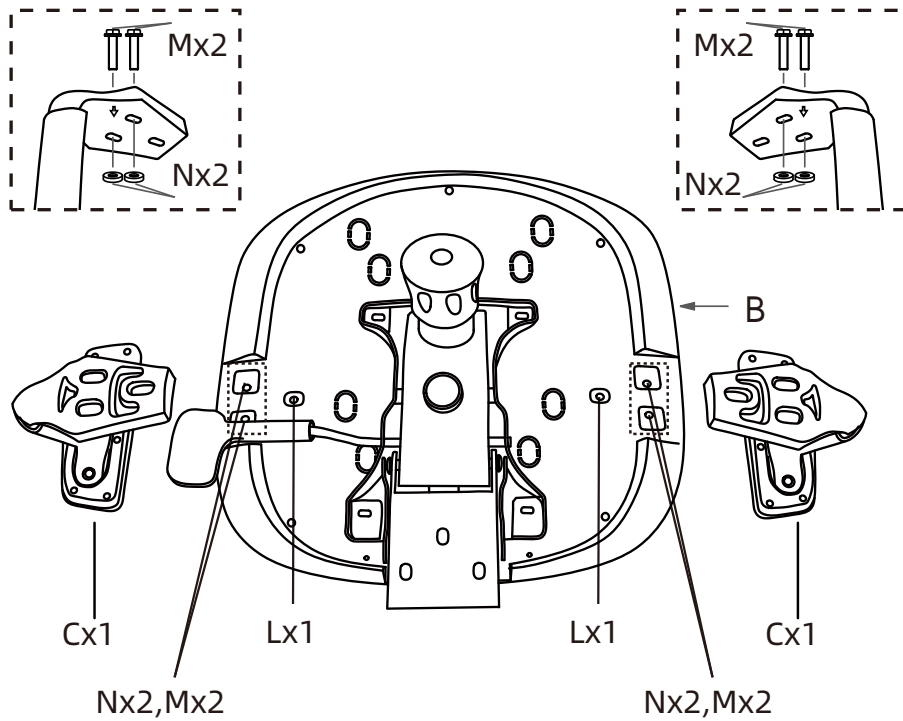
N



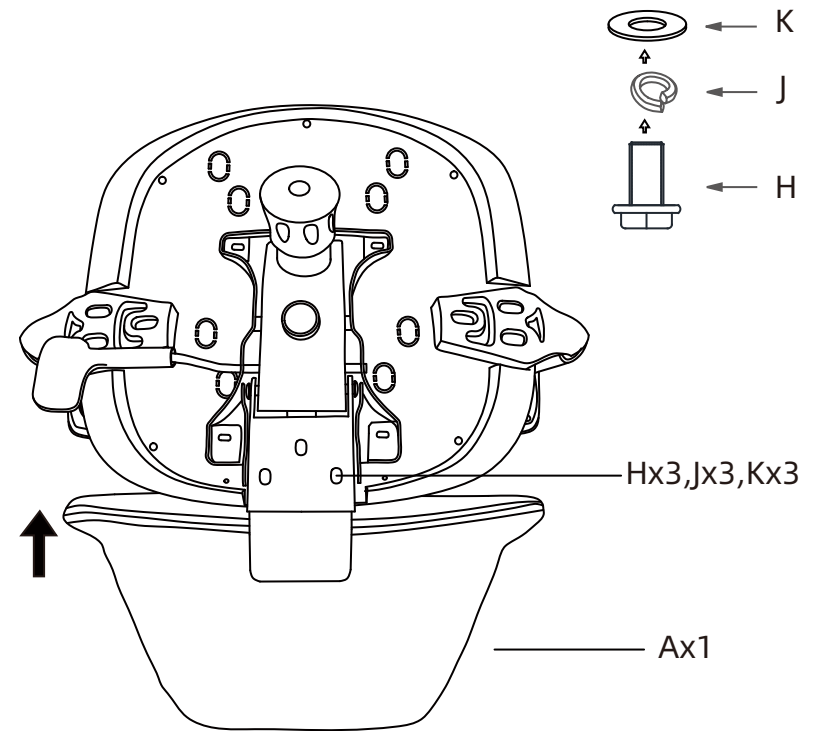
4x



Step 2

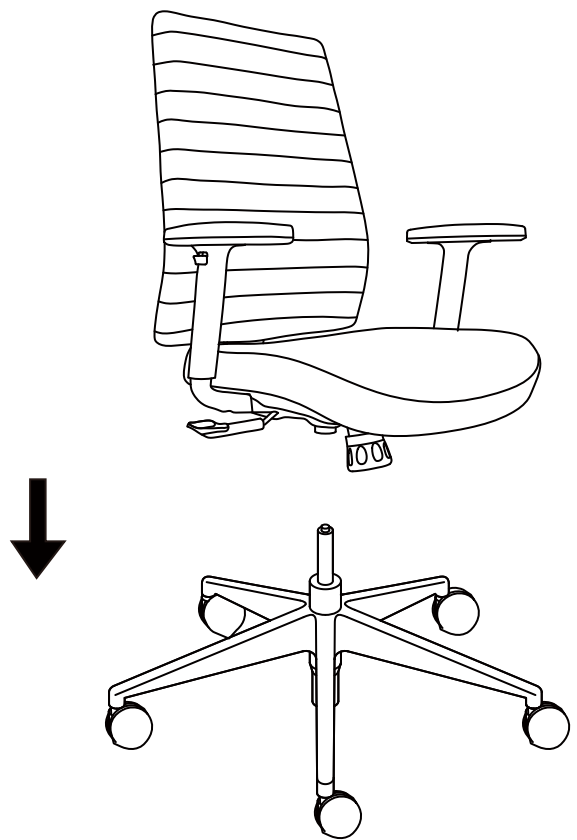


Step 3



Fixed & lifting armrest is installed in the same mode

Step 4



Step 5

